

Rambler

Newsletter of the
Ottawa Valley Mobile
Radio Club
Incorporated



Apr 2016

Edition 60

Page: 1

President's Ramblings

It's Spring and I'm sure by now we have all re-set our ham shack local time clock forward one hour. That now makes us just 4 hours less than UTC here in the Eastern Time zone.

For our new amateurs in the Club, spring will likely mean stringing up your first HF antenna system to radiate around the world. Spring will also mean a new season of hamfests and fleamarkets; the schedule of local ones is posted in this issue of the Rambler. The biggest radio amateur gathering in the world happens annually in May. This is the Dayton (Ohio) "Hamvention" and fleamarket, a three day event May 20 - 22. It is said, a radio amateur that doesn't make a pilgrimage to Dayton at least once in their lifetime will not be going to ham heaven. From my pass attendance several years in a row, I'm sure my salvation is assured many times over. For information about the Dayton Hamvention, goto: hamvention.org/. The Iroquois Fleamarket has already happened May 2nd; besides myself, the other OVMRC members attending included Barry VE3NJK, Tim VE3TXB, Pete VE3XEM, Nicole VE3GIQ, David VE3ZZU, Tim VA3ZZW and Jeffrey VA3PEW. The next local Hamfest / Fleamarket will be in Smiths Falls

Saturday May 14th at the Smiths Falls Curling and Squash Club.

We were busy with Club events in March. As advertised, we conducted a "Workshop" March 7th to test workings of the J-Pole dual band antenna Club project. From all reports, it was a big success. As well, many that attended (20-ish) availed themselves of the test equipment to test the basic performance specifications of their handheld portable radios. Thanks to Barry VE3NJK for conducting these tests. We also programmed a few attendee's portables with my Linux computer using the "Chirp" software. Pictures for this event were taken by Dave, VE3ZZU and are posted in this issue. Thanks Dave.

For our regular meeting, March 16th, we held a mini flea market. This was also a well attended affair that filled one of the Aviation Museum classrooms. Fellows selling some of their prime junk included Neal VE3DHE, Barry VE3NJK, Pete VE3XEM, Bryan VE3QN, Norm VE3LC, and Ken VE3SRS. Many of the new hams in the Club were utterly bedazzled with such a choice of good quality stuff for sale. Jocelyn, VE3JCT, how are you making out with that

INSIDE

President's Ramblings.....	1,3
Workshop Pictures.....	3,4
Fox Hunt & Picnic Event.....	4
Touch Morse Code Paddle.....	5
Hamfests & Fleamarkets.....	6
April/May Contest Calendar.....	6
What's Happening Elsewhere.....	6
2016 Dates.....	6
Membership Form.....	7

Meeting Dates

Club Meetings:

Workshop:

Monday April 11th

Radio Direction Finding

This session will describe the June 4th event, building portable home brew directional antennas and special DF techniques

&

Wednesday April 20th

Solar power by Dave Green, VE3TLY

This presentation will describe Dave's off the grid solar power system at his summer cottage QTH.

surplus U of (Continued on [page 3](#))

OVMRC Executive**2015-2016****President:** Norm Rashleigh, VE3LCve3lc@rac.ca**Vice-President:** Barry Allison, VE3NJKve3njk@rac.ca**Treasurer:** Beth Webster, VA3CEWovmrc.treasurer@gmail.com,**Secretary:** Sandy Haggart, VE3HAZve3haz@rac.ca**Standing Committee
Chairpersons****Amateur Radio Exhibit:**

Darin Cowan, VE3OIJ

ve3oij@amsat.org**Amateur Radio Training &****Accredited Examiner:**

Norm Rashleigh, VE3LC

ve3lc@rac.ca**Membership:**

Joe Lemieux, VE3EUS

ve3eus@rac.ca**Radio Operations:**

Ken Evans, VE3EKN

ve3ekn@gmail.com,**Newsletter Editor:**

Robert Cherry, VA3AOD

cw527@ncf.ca**Newsletter Publisher:**

Bill Hall, VA3WMH

bmhall@rogers.com**Webmaster:**

Darin Cowan, VE3OIJ

ve3oij@amsat.org

For information about the duties and responsibilities about all Executive and Chair positions, please visit the OVMRC forums, Member section or contact any member of the Executive.

Sponsors

The OVMRC acknowledges the following organizations for their support of our activities:

• KENWOOD ELECTRONICS**CANADA INC.**,
Mississauga, ON**• TRAVEL-MOR TRAILER SALES,**
Ottawa, ON**• PEPPERS RADIO SALES,**

Rockland, ON

Email: peppersradio@videotron.caWEB site: www.peppersradio.net**RADIOWORLD TORONTO**WEB site: www.radioworld.ca**OVMRC Life Members**

Ernie Jury, VE3EJJ

Maurice-André Vigneault, VE3VIG

Ralph Cameron, VE3BBM

Doug Carswell, VE3ATY

Doreen Morgan, VE3CGO

OVMRC Repeaters

147.300 Mhz (+) (no tone)

444.200 MHZ (temporarily off-air)

Amateur Radio Exhibit**VE3JW**

Web site:

ovmrc.on.ca/ve3jw.htmCanada Science & Technology
Museum

Is temporarily off the air due to the closure of the Canada Science and Technology Museum

The Rambler is the official newsletter of the Ottawa Valley Mobile Radio Club Incorporated and is published 11 times a year (monthly, except for July). Opinions expressed in the Rambler are those of the authors and not necessarily those of the OVMRC, its officers or its members. Permission is granted to republish the contents in whole or in part, providing the source is acknowledged. Commercial use of the contents is expressly prohibited.

Submit articles to the editor or by e-mail to:

[Robert Cherry, VA3AOD](mailto:Robert.Cherry@VA3AOD)cw527@ncf.ca**Visit the OVMRC Store**

at

<http://www.cafepress.ca/ovmrc>**Ottawa Valley Mobile Radio Club, Incorporated****PO Box 41145****Ottawa, ON K1G 5K9**www.ovmrc.on.ca

(Continued from [page 1](#)) O bench oscilloscope I sold you?

Our June meeting will be the Annual General Meeting where the membership considers and votes their acceptance of the 2016 / 2017 executive of the club. Any nominations for club executive and chair positions should be submitted and will be considered up to the time of membership voting at the AGM. At this point in time, we have been advised that Beth Webster VA3CEM, Club Treasurer, Sandy Haggart, VE3HAZ, Club Secretary and Joe Lemieux, VE3EUS, Membership Chair wish to retire from their Club executive positions at the end of the 2015/2016 season. Each has served the Club many years and we thank them all for their dedicated service. I will be actively recruiting folks from the Club to accept standing for these important positions which the Club cannot function properly

without. If you think you may be interested in one of these positions starting September, please let me know as soon as possible at ve3lc@rac.ca or 613-837-1733 . Again all people wishing to stand for a position, including incumbents, must be accepted by a membership vote at our AGM, June 15.

In preparation for the June transmitter hunt event, we are conducting a Workshop meeting at the Aviation Museum Monday April 11th . At the meeting we will describe the event, now you can participate and will be showing a couple of 2 metre directional antennas for homing in on the hidden transmitter and that should be easy to home construct. We will also demonstrate operation of the low power transmitters we plan to hide and demonstrate techniques with or without directional antennas

that may be helpful in zeroing in on hidden "Fox".

For our monthly General Meeting, Wednesday April 20th, David Green, VE3TLY has accepted to give a talk on the Solar Power System he assembled and uses at his cottage in Quebec. The system was designed with special attention to low RFI generation so as not to interfere with his ham radio activities. Dave is retired from the National Research Council and has a Masters Degree in Electrical Engineering. He is a past president of the Ottawa Amateur Radio Club.

Remember, your attendance at the monthly meetings is recorded. The more you attend, the bigger your chances in the lottery draw of a \$200 Gift Certificate for Radio World at the June AGM meeting.

73 de
Norm Rashleigh, VE3LC

Pictures from our March 7th Workshop



Jocelyn VE3JCT, Eric VA3EZE look on as Norm VE3LC sweeps Jocelyn's J-Pole antenna.



Norm VE3LC programming the Yaesu FT1D portable radio owned by Marcel VE3FNG.

Continued on Page: 4



VE3TXB ponders his radio settings while Luc VA3LDC looks on.



Peter VE3XEM shows Nicole VE3GIQ his newly constructed Vector Impedance Analyser.

Transmitter (Fox) Hunt and Picnic Event at Petrie Island

Briefing Workshop Meeting, Monday April 11th at the Aviation Museum, 7:30 pm.



*Home Brew
Directional
Magnetic Loop
Antenna for
2 metres*

As we mentioned in the last Rambler, we are planning to have a Club Transmitter Fox Hunt and Picnic at Petrie Island on Saturday June 4th. In preparation for this, we are conducting a Radio Direction Finding (DF) Workshop this coming Monday, April 11th at the Aviation Museum, 7:30 pm. I have constructed two sample directional antennas for 2 metres that could be readily constructed by folks to provide competitive edge in finding the hidden transmitters at the June event. Such antennas however are not mandatory to participate in the Fox Hunt. Our Workshop will describe the event, demonstrate the transmitters we intend to use and hide and simple techniques that you can use when even using a hand-held 2 metre portable and conventional Rubber Ducky antenna.



de Norm VE3LC

A “Touch” Morse-Code Paddle

Most of us who learned the Morse code in the days when it was a requirement for an amateur radio license learned to send it using a straight key. The straight key fitted the classic image of a telegrapher and those skilled at copying the Morse code got to recognize the individual patterns or “fists” of different telegraphers.

A straight key, however, can be a bit tiring on the hand and the wrist. In recent times amateurs who use CW are more likely to use a paddle and an electronic keyer.

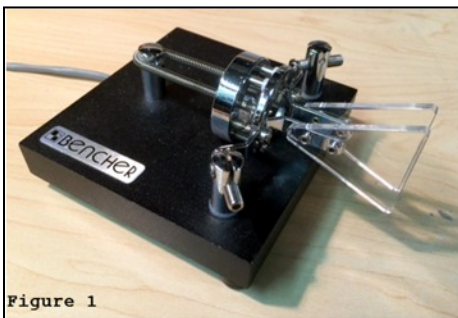


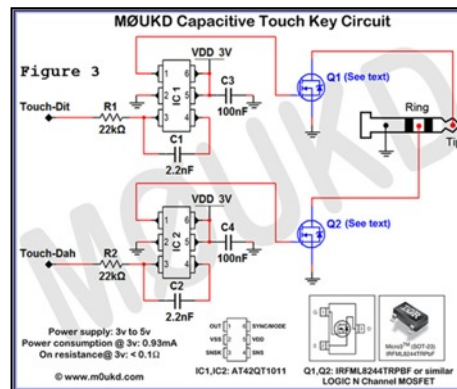
Figure 1 is a picture of one of the more popular paddles used by amateurs, the Bencher BY-1. Overlooking for the moment its elegant styling, it's simply two switches either of which is closed by pressing the paddle toward the center. The elegance comes from the smooth feel of the paddle and its spring return. An electronic keyer – which more often than not is built into a modern amateur transceiver - translates the key closures into perfectly-spaced dots and dashes. (While it doesn't really matter, the convention is that the left paddle sends the dots using one's thumb and the right paddle sends dashes using the forefinger).

I recently chanced upon a design for a paddle which has no moving

parts - which generates its dots and dashes by merely touching the “paddles”. Intrigued, I ordered the circuit board from its designer, John M0UKD. I had hoped to order just the circuit board and place the surface-mount components on it myself; however, John had no blank boards left – only a board with all the components mounted.



Figure 2 shows the circuit board with its components while Figure 3 below shows the circuit diagram for the touch paddle.



There are, of course, two identical circuits on the board – one for the dits and one for the dahs. Each consists of a single six-pin integrated circuit, IC1 or IC2, and an associated MOSFET transistor, Q1 or Q2. The capacitive effect of touching either paddle, which is connected, to pin 1 of its IC causes pin 3 to go “high” which, in turn, drives its MOSFET to produce an output having a resistance of less than 0.1 ohm which emulates a contact closure.

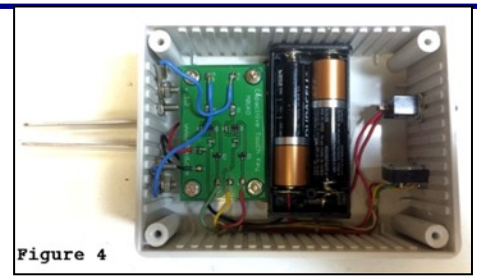


Figure 4 shows the way I assembled this into a 11 x 8 x 5 cm plastic box. The battery holder holds the two AA battery cells. The on-off switch isn't really necessary but having it helps lengthen the battery life. A cable connects the output jack to the Morse key connector on any rig equipped with an electronic keyer. The key closures on the cable - the “tip” lead for the dits and the “ring” lead for the dahs - look to the transceiver just like a mechanical paddle.



I acknowledge with thanks John, M0UKD, who designed this circuit, fabricated the circuit board and – in my case – mounted the components. Also, Brian VE3ZRK and Dave VE3KL who fabricated the metal “paddles”.

Bryan Rawlings VE3QN

UPCOMING AMATEUR RADIO HAMFESTS & FLEAMARKETS

Rideau Lakes Amateur Radio Club

Smiths Falls Flea Market
Saturday, May 14 at 9 am

details:

ve3rlr.dyndns.org/fleamarket32nd.html

Dayton Hamvention

Dayton, Ohio

(only 12 hours drive from Ottawa)

Friday, Saturday and Sunday
May 20-22

details: hamvention.org/

April / May Contest Calendar

The main contests for April and May are:

April 16/17 Ontario QSO Party
www.va3cco.com/oqp/rules.htm

April 17 ARRL Rookie Roundup, SSB
www.arrl.org/rookie-roundup

May 28/29 CQ WW WPX Contest, CW
www.cqwp.com/rules.htm

All other contests, go to:

www.hornucopia.com/contestcal/contestcal.html

2016 Dates

Club Meeting Date:

April 20th

May 18th

June 15th

Rambler deadlines:

May.....4th

June.....1st

Please submit articles for the Rambler to the editor:

[Robert Cherry](mailto:Robert.Cherry@va3cco.com)

No later than the deadline for the desired edition.

**May Rambler submission
deadline is:**

Friday, 4th May

What's Happening Elsewhere!

Check it out; let us know what's going on in your club.

Ottawa Amateur Radio Club
(OARC)

www.oarc.net/blog/:

Ottawa Valley QRP Society:

www.qsl.net/va3ovq/VA3OVQ/Welcome.html

The Ottawa Valley QRP Society is a group of Amateur (Ham) Radio operators in the Canadian National Capitol Region with an interest in QRP (low-power) operating,

equipment homebrewing and antenna experimentation. The group holds the Amateur Radio call sign VA3OVQ. Membership is free and open to anyone in the National Capitol region with an interest in low power Amateur Radio.

Our monthly dinner meetings are :

At 5:00 P.M. on the second Wednesday of each month at Donna's Express Restaurant at the corner of Churchill and Scott Streets in Ottawa.

We have an online discussion group on Yahoo Groups called ov-qrp.

See:

groups.yahoo.com/group/ov-qrp/ for details or email va3ovq at qsl.net.

Rideau Lakes Amateur Radio Club
(RLARC)

ve3rlr.dyndns.org/:

West Carleton Amateur Radio Club

www.wcarc.on.ca

VE3ORF/3730 Group

www.ve3orf.com/

CRAO Club Radio Amateur Outaouais (CRAO)

MEMBERSHIP FORM

Ottawa Valley Mobile Radio Club, Incorporated
 PO Box 41145
 Ottawa, ON K1G 5K9

- ✓ *The membership year starts 1 September, and runs until 31 August of the following year.*
- ✓ *Regular membership is open to licensed amateurs.*
- ✓ *Associate membership is open to all unlicensed radio enthusiasts.*
- ✓ *Membership includes a digital subscription to the club newsletter, the OVMRC Rambler.*

NEW RENEWAL UPDATE/CHANGE

Please print legibly

Call Sign	Surname	Perferred first name
Street		Apartment
City	Province	Postal Code
Home/primary phone	Work/other phone	E-mail address
Are you a member of Radio Amateurs of Canada (RAC)? Yes / No		
RAC ID: _____ Expiry (YYYY-MM-DD): _____		

Do you wish to order an OVMRC name tag? (+\$12.00) Yes <input type="checkbox"/> No <input type="checkbox"/>		
Callsign for name tag	Name for name tag	

Full Membership (Not a Member of RAC)	\$35.00/yr <input type="checkbox"/>	Amount Enclosed \$ _____ Cheque / Cash
Full Membership (RAC Member)	\$25.00/yr <input type="checkbox"/>	
Associate Membership (Unlicensed)	\$25.00/yr <input type="checkbox"/>	

Circle your interests			
Bands Microwave UHF VHF HF LF and below	Modes CW Digital Phone EME Satellite Experimental	Building RX TX Antennas Test equipment Other	Other Teaching Speaking/Presenting DF/Fox hunting Contesting DXing Computers/IT Other

Signature	Date	Initials	<i>By initialing this box, I confirm that I consent to receiving e-mail messages from the Club.</i>
_____	_____		