

# THE OVMRC RAMBLER

Volume 41, Number 8

April, 1997

## VE3TWO Now Has 100 Hz Tones

Written By Bob Shaw, VE3SUY

The OVMRC's 2 meter repeater, VE3TWO, now requires a 100 Hz. CTCSS sub-audible tone in your transmission to trigger the repeater. This has been added to help eliminate the constant triggering of the repeater due to the increased electrical noise at the repeater site. This function will, however, be turned off during the various nets on the repeater to allow access by any amateur without the CTCSS tone capability on their VHF transceiver.

As most repeaters are having to move to CTCSS encoding because of increasing electrical noise, it is probably wise to look through your operator's manual to see if CTCSS is already built-in in your rig (most newer transceivers are so equipped). If your rig does not have a CTCSS function built-in, you may wish to consider one of the available boards and kits which will add CTCSS to your rig. Suitable boards or kits are available from the transceiver manufacturers, from the local amateur radio supply outlet, or several other companies such as Hamtronics.

The VE3TWO 2 meter repeater also places a 100 Hz. CTCSS sub-audible tone on its output. Again, many transceivers can use this tone instead of the normal squelch to silence the receiver except during encoded transmissions.

## OVMRC Amateur Of The Year

The OVMRC's April meeting will be the last opportunity for members to make their nomination for the Amateur Of The Year. A nomination form is included in this issue of the Rambler for your convenience.

Following the April meeting, the nomination ballots will be tabulated, and the three nominees with the most nominations will be listed on a ballot which will be included in the May issue of the Rambler. You will be asked to choose from those listed who you feel best qualifies as OVMRC Amateur Of The Year. The winner will be announced at our June meeting.

## Help Next Year's Club Executive

The present executive is attempting to both help next year's executive and satisfy the membership by asking for suggestions for next year's meeting programs. If you would like the executive to arrange for a guest speaker on a particular subject, i.e. packet, computers, internet, or any of the many amateur radio topics, let President Dan Reardon have your ideas and they will be considered by the incoming executive.

The Ottawa Valley Mobile Radio Club

# RAMBLER

The Rambler is published monthly by:

The OVMRC  
Box 5530, Station F  
Ottawa, Ontario  
Canada K2C 3M1

Opinions expressed in the Rambler are those of authors, and not necessarily those of the Ottawa Valley Mobile Radio Club, Incorporated, its officers or its members. Permission is granted to republish the contents, in whole or in part, providing the source is acknowledged. Commercial use of the contents is expressly prohibited.

## The 1996-1997 OVMRC Executive

President: Dan Reardon, VE3GUU, 836-2633  
Vice-President: Vacant  
Treasurer: Ernie Jury, VE3EJJ, 728-3666  
Secretary: Earl Andrews, VE3AB, 828-5955

## Standing Committee Chairs

Amateur Radio Exhibit: Jerry Wells, VE3CDS, 828-3839  
Amateur Radio Training: VACANT  
Field Day: Jake Guertin, VA3TQX, (819) 684-5669  
Flea Market: Ken Barry, VE3KJB, 746-4823  
Historical: Larry Wilcox, VE3WEH, 747-5565  
Membership: Tom St. Julien, VA3OFD, 747-9577  
Newsletter: Dan Doctor, VE3XDD, 745-9214  
Publicity & Programs: Steve Middleton, VE3RUU,  
731-6749  
Radio Operations: Jacques Choquette, VE3TSC, 748-6597  
Technical: Bob Shaw, VE3SUY, 737-9443  
Novice: Joe Donnelly, VA3JJD, 488-3299

## OVMRC Life Members

Ralph Cameron, VE3BBM  
Doug Carswell, VE3ATY  
Gerry King, VE3GK  
Fred Noble, VE3BAJ  
Jerry Wells, VE3CDS  
Bill Wilson, VE3NR

## Joining or Renewing RAC Membership

When joining or renewing your membership in RAC, remember to quote "OTT-101" on your application. This will reimburse the OVMRC \$3 of your RAC membership dues which will be passed back to you in the form of a credit on your next year's OVMRC dues.

**OVMRC CODE PHONE - 737-0197**

**SEE THE OVMRC WEB PAGE:**

<http://www.takeone.com/public/ovmrc.htm>

**The OVMRC gratefully acknowledge the support of the Corel Corporation in producing the Rambler.**

## Mark Your Calendar !

### Next general meeting:

Thursday, April 17th at 1930 hours in the main auditorium of the Museum of Science and Technology. Bill Westbrook, Chairman of the ATV Committee will be our guest speaker. Bill will be providing an update on work in developing the system and the group's prospective plans for joining the OVMRC's field day efforts.

### Deadline for next Rambler:

Thursday, April 24th, 1997.

### OVMRC's Repeater:

**VE3TWO , 147.300MHz (+)  
444.200MHz (+)**

## Affiliated Clubs

The OVMRC exchanges newsletters with the following organizations:

Algoma ARC, Sault Ste Marie, ON  
Augusta Amateur Radio Assoc. Augusta, ME  
Border City Radio Club, Windsor, ON  
Chatham-Kent ARC Inc, Chatham, ON  
Calgary Amateur Radio Assoc. Calgary AB  
Comox Valley ARC, Comox, B.C.  
Halifax ARC, Halifax, N.S.  
Heritage ARC, Cobourg, ON  
Kingston ARC, Kingston, ON  
Lambton County ARC, Sarnia, ON  
London ARC, London, ON  
Metroplex ACA, New York  
Ottawa ARC, Ottawa, ON  
Pioneer ARC, Nepean, ON  
RAC, Kingston, ON  
Rideau Lakes ARC, Smiths Falls, ON  
Scarborough ARC Inc, Scarborough, ON  
Seaway Valley ARC, Cornwall, ON  
Sudbury ARC, Sudbury, ON  
Surrey ARC, Surrey, B.C.  
Saskatoon ARC, Saskatoon, SK  
Thousand Island ARC, Brockville, ON  
West Island ARC, Dorval, PQ  
Winnipeg ARC, Winnipeg, MAN

## Sponsors

The OVMRC provides newsletters to the following organizations for their past support of our activities:

Bytown Marine, Ottawa, ON  
Kenwood Electronics Canada Inc, Mississauga, ON  
Corel Corporation, Ottawa, ON  
WorldLink Internet Services Inc, Ottawa, ON

# Ramblings

*Wise words from our President,*

*Dan Reardon, VE3GUU*

Our March meeting, Home Brew Night, was really interesting. I was pleased to see the number of innovative projects brought in by members. It is always interesting to see what can be made from "left-overs" and/or "junk". Congratulations to everyone who participated - it was a job well done! It was also nice to see the group of new students again from Samuel Genest School. I am sure all OVMRC members are pleased to host and encourage these young people who have expressed an strong interest in Amateur Radio. I have high hopes that a number of them will be joining us on the radio spectrum in years to come. After all, it is the youth of today that will be the lifeline of our hobby tomorrow.

Possibly we all should take a lesson from this - why don't you bring a friend as a guest to our next meeting? If everyone brought a guest who has some interest in amateur radio we would fill the auditorium! How about it folks, give it some thought, "Who can you bring?"

Again, I want to congratulate and thank our "Social Convenor" Ann Asmus for the work she does in ensuring we have super refreshments for our social hour after our meetings. Ann was presented with a well deserved Certificate of Appreciation for her efforts at our March meeting.

## APRIL MEETING

We are in for real treat at our April meeting as Bill Westbrook will be making a presentation on ATV. This should prove to be of interest to all as Bill and his ATV group will be joining us for Field Day. Rather than have to ask all your questions on Field Day, come to our April meeting and hear Bill's explanation of what and how his ATV project operates. Additionally, the April meeting will be your last opportunity, this year, to make a nomination for the OVMRC Amateur Of The Year. A nomination form is included in this issue of the Rambler.

## MAY MEETING

At the time of this writing we have only three members who have committed to bring and display their equipment at our May meeting. Please let Steve, VE3RUU or myself know before our May meeting what transmitter you will be bringing in to the meeting. Old or new, hand held or mobile/base let's show our new, graduating amateurs what is out there from today's and past markets. Also, of interest to all members, Bytown Marine will be displaying several of today's newest rigs and equipment.

## ELECTIONS

Ask not what the Club can do for you - rather, ask what can I do for the Club? STAND FOR ELECTION TO AN OFFICE.

# Minutes

**OVMRC Regular Meeting, March 20, 1997**

The meeting was called to order by President Dan, VE3GUU at 1930 hours. He welcomed our visitors and guests - a group of students from Samuel de Genest School, Greg, VE3GMA and Alan Robinson (no call).

Ann Asmus, VE3TSB, was presented with an OVMRC Certificate of Appreciation in recognition of her efforts in providing refreshments following each general meeting of the Club.

Tonight's meeting will feature Home Brew items. Two members were appointed to judge the home brew items - Jerry Wells, VE3CDS and Bob Shaw, VE3SUY.

President Dan reminded the membership our June election is not too far off. He pointed out that the OVMRC has a membership of over 200 and we require a full slate of executive officers. He encouraged the membership to volunteer for the various offices.

A ballot box is located at the back of the auditorium to receive nomination ballots for the OVMRC Amateur Of The Year. Following the April meeting, the top three nominees will be placed on a ballot and the membership asked to vote for this distinguished honour at our May meeting. The winner will be announced at our June meeting.

The Technical Group has been expanded so that extra expertise can be made available for repeater upkeep. It was announced that the CTCSS tone, 100 Hz., on the repeater will be operative within a few days.

President Dan explained all the research that been done by himself, Larry Wilcox, VE3WEH, and Dan Doctor, VE3XDD, into upgrading the Club's 386 computer. The cost difference between upgrading the computer and acquiring a new Pentium computer is minimal. The Club has a commercial establishment which has offered us a new Pentium computer at its cost. It was moved by John Barnhart, VE3ZOV, seconded by Len, VE3LGZ, that the Club purchase a Pentium system with a spending limit of \$2000. This motion was approved by the membership.

It was then moved that the 386 computer be

temporarily loaned to Doug Carswell until the end of September, 1997, so that he can update the Club's Amateur Radio Training manual. This motion was approved by the membership. The 386 computer is to be offered for sale to a member of the Club by sealed tender in the fall.

Steve, VE3RUU, introduced Home Brew Night.

Rene, VE3JKR, demonstrated a remote AC switch, housed in a tough steel box, made from an old Sony appliance.

Tom, VE3WTJ, demonstrated a portable 80 meter vertical antenna. He could not place the whip on the loaded coil portion of the antenna as it was too tall.

Ernie, VE3EJJ, demonstrated an old gas driven lawn mower on which he mounted an automobile alternator. The lawn mower with drive pulley and belt would turn the alternator to produce a voltage. The associated circuitry would regulate the output and provide for overvoltage protection.

Jake, VE2TQX, demonstrated an old transmatch with vernier and analog dials. He also demonstrated a parabolic microphone. The parabolic dish was an old patio umbrella base with a directional microphone held in place with "hay wire".

Bill, VE3NR brought in and demonstrated a Nicad battery charger. It has a feature which automatically turns itself off when the battery has reached its peak voltage, therefore, not overcharging and preventing the battery to develop "memory".

Steve, VE3MVK, demonstrated a home brew VHF receiver which used a phase locked loop and a frequency synthesizer chip.

Jake announced that Field Day will be June 28 and 29. Volunteers are still needed. Larry, VE3WEH, added that the emphasis this year will be on youth participation.

Bob, VE3SUY, announced that the Technical Group has two projects which require volunteers. 1) a group to measure coverage patterns of repeaters, and 2) a possible VHF/10 meter local contest.

The meeting was adjourned for the social hour with refreshments and ragchew.

# The VE3JW Operating Agreement

Written By Ernie Jury, VE3EJJ

There seems to be some misunderstanding on the part of a few Club members of the terms of the agreement the OVMRC has with the Museum. I will try to summarize the agreement as it pertains to VE3JW for their benefit.

The current agreement is for a term of 12 months, 1 September, 1996 to 31 August, 1997. Essentially, the Museum allows the Club to use their auditorium for our regular monthly meetings, as well as the use of classrooms for the weekly radio course classes and monthly executive meetings. The dates of these events are incorporated in the agreement. As payment for use of these facilities, the OVMRC has undertaken to operate VE3JW, and explain its operation to visitors to the Museum, for at least 500 hours during the term of the agreement. The Club may request the additional use of Museum facilities, which may be granted if it does not conflict with other Museum programs or place an undue burden on Museum staff. There are other items in the agreement such as a refundable damage deposit, but they do not impinge directly on the operation of the station.

The number of hours that the station is

operated each month is determined from the stations' log. The Museum has its own check on this figure from the Volunteer sign-in book we use at the information desk in the lobby. The need for operators to accurately maintain both the station log and the Volunteer book should be self-evident. The monthly station operating hours from its commissioning in late 1995 to the present are shown below.

During the first six months of the agreement that station operated for 905:45 - 540:05 = 365:05 hours. This is a good start on the minimum 500 hour undertaking, but we cannot slack off because of the demonstrated fall-off in station operations during the June - September period. Unfortunately, the fall-off comes at the end of the agreement period so that there is no opportunity to recover any short fall that might develop during the summer months.

Anyone wishing to help with the operation of the station is encouraged to contact Jerry Wells, VE3CDS. He can be reached at 828-3839. Jerry will be able to advise you when there is the greatest need for operators and how to become a Museum Volunteer so that you can have access to the station.

<u>PERIOD</u>	<u>STATION OPERATING HOURS</u>	<u>CUMULATIVE STATION OP. HOURS</u>	<u>OPERATOR HOURS</u>
9-30 Nov. '95	50:00	50:00	126:50
1-31 Dec. '95	53:15	103:15	115:45
1-31 Jan. '96	55:50	159:05	103:50
1-29 Feb. '96	70:53	229:58	156:43
1-31 Mar. '96	58:33	288:31	108:40
1-30 Apr. '96	59:35	348:06	136:00
1-31 May '96	64:30	412:36	132:40
1-30 Jun '96	46:46	459:22	77:05
1-31 July '96	39:48	499:00	82:53
1-31 Aug. '96	41:40	540:40	75:35
1-30 Sep. '96	42:30	583:10	81:35
1-31 Oct. '96	66:25	649:35	132:50
1-30 Nov. '96	52:15	701:50	126:35
1-31 Dec. '96	56:25	758:15	171:45
1-31 Jan. '97	63:25	821:40	171:15
1-28 Feb. '97	84:05	905:45	204:05

## It Really Works

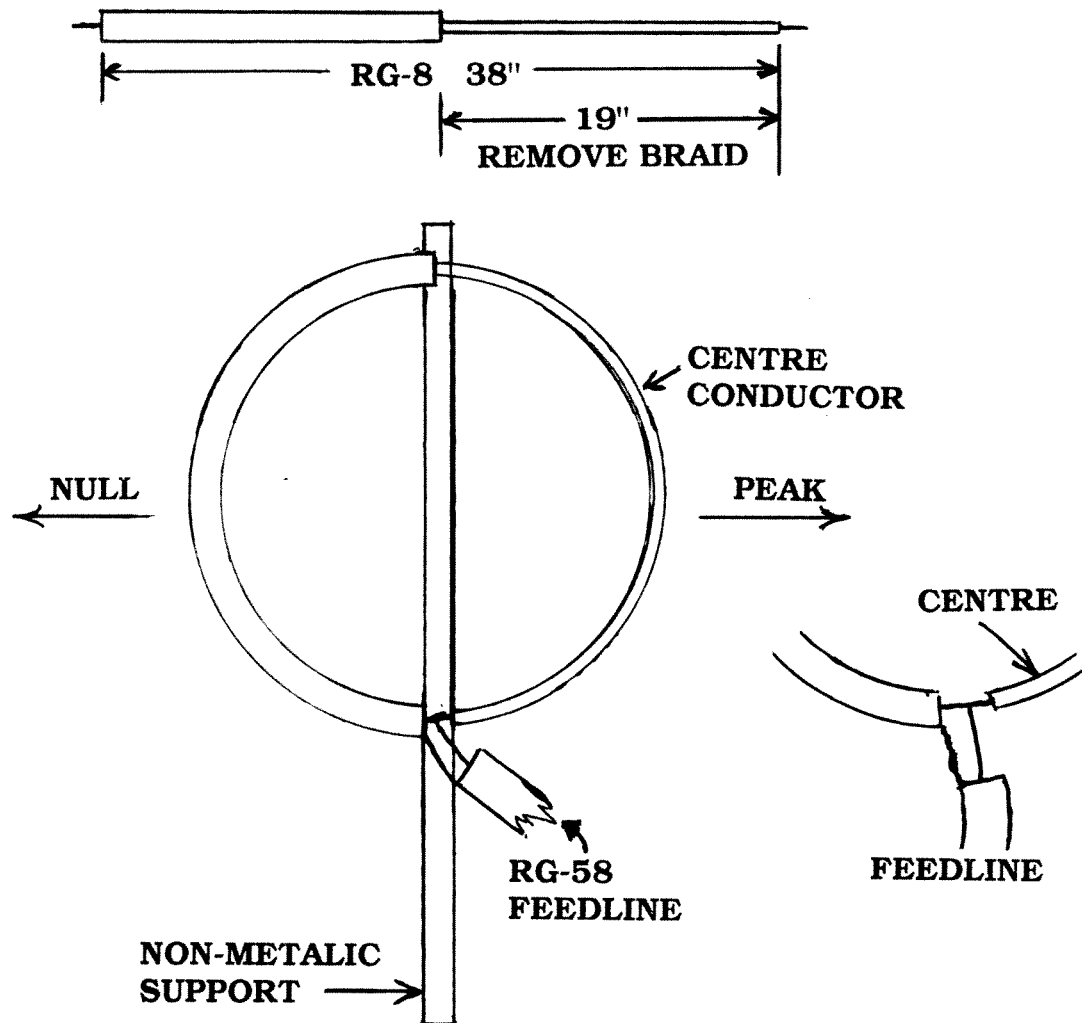
# VHF DF LOOP

A popular feature for many amateurs is a transmitter or "bunny or fox hunt". The hidden transmitter normally operates on short bursts. Hunters take a bearing during the "on" time and then move to new location (hopefully closer to the transmitter) and wait for another signal to get a new bearing.

The VHF DF loop described here is of uni-directional design. This DF loop is easy to build, easy to use and it really works.

Use about a 40 inch length of RG-8 solid dielectric coax. Bare 1 inch of the centre conductor at both ends of the 40 inch coax. Remove 19 inches of the outer braid, but leave the insulation on the cable, except where the ends will be joined. At the other end of where the braid was removed, also have a bit of exposed braid. This is where the braid from the feedline will connect to the loop. Bend the coax in the form of a circle and solder the 2 ends of the centre conductor together. The center of the feed line will connect here (see diagram). Attach a feedline as shown and mount the completed loop on a piece of dowel or broom handle using tape (or tie straps), and run the feedline down this support. If the loop is properly constructed, it will exhibit a null off the back and a peak to the front. Use it with a receiver that has a signal strength meter. Now all you have to do is stick it out of the car window, watch the meter as you turn the antenna, shift gears and stay out of snow banks, ditches, etc.

Hint - that is why its always safer (and more fun!) to hunt in pairs. Good luck!



# Dennis Mungham Dies at 49 Years

Reprint from Ottawa Citizen,  
Written by Kristina Davis

From a very young age radio was Dennis Mungham's passion. He built radios in his basement that sent signals so strong he wiped out his neighbours' television reception. Later in life, his effort were directed at bouncing signals off the moon, a fact attested to by the array of massive antennas which surround his home, and dreamed of tracking down NASA's billion-dollar Mars Observer, which went missing in 1993.

Dennis died of heart failure at his South Mountain home. He had just qualified for a heart transplant because of chronic heart problems.

At the time of his death, Mr. Mungham was a civilian employee of the RCMP, employed as the Acting Officer-in-Charge of Engineering. He designed the radio system police officers use to communicate with dispatchers.

The basement of Dennis' home housed a fully operational communication system from the Second World War which he used to talk to people around the world each Remembrance Day. His family plans to bequeath the system to the War Museum in his name.

Mr. Mungham lectured widely on his favourite past-time, Earth-Moon-Earth bounce; he was considered one of Canada's leading authority on the subject. In 1996, Dennis was honoured by the OVMRC with the presentation of a plaque recognizing his amateur radio achievements, and his leadership in EME work.

Mr. Mungham organized several moon bounce week-end in Algonquin Park where he was one of a very select handful who got permission to use Canada's largest satellite dish.

Algonquin Park meant so much to Dennis Mungham that his ashes will be spread there.

Amateur radio, the world over, has lost a leader, an innovator and a friend. May He Rest In Peace.

# RAC Report

Pat Doherty, VA3GD, Director, Ontario North

RAC will be holding meetings in Ottawa from April 17th to April 20th, 1997. The Board of Directors will meet April 19th and 20th. The Annual General Meeting of Members will be held at the Howard Johnson in Ottawa commencing at 1330 hours, April 20th. This will be my first Board Meeting as your Director for Ontario North. The agenda has laid out a busy schedule for the two days with items ranging from the budget to the impact of the ARRL proposed changes on HF Band Planning. As HF Band Plan Coordinator I was fortunate enough to attend the Board Meetings in Niagara Falls when the IARU Region 2 meetings were held in Canada so this is not my first time around the Board table.

The Lakehead Amateur Radio Club is busy with preparations for the Scouts Canada Jamboree '97 which will be held July 12, to July 20, 1997 in Thunder Bay. Over ten thousand Scouts and their leaders will be attending the Jamboree. The LARC will be conducting radio classes during the Jamboree as well as operating a Jamboree radio station. The call will be CJ3FW. If you know of any Scouts or leaders who will be attending the Jamboree, speak with them about setting up schedules for contacting home. The station manager will be Terry Stewardson, VE3TKA, and you can contact him through e-mail <tsteward@tbaytel.net>, or by packet VE3TKA@VE3TKA.#NON.ON.CAN.CA. to set up any schedule.

The Little LEOs have come out from behind the curtain, revealing they want to share our VHF/UHF spectrum. Despite all the protestations that Little LEOs were benign, we find that they filed for sharing back in February.

RAC Headquarters is fortunate to have an active group of volunteers from the Ottawa area helping to keep the show on the road. Without them our minuscule staff would have a difficult time coping. Thank you to each and every one of these volunteers. Support your national organization - join RAC!

# An Automatic, Constant Current Nicad Battery Charger

Written by Bill Wilson, VE3NR

Nicads require constant-current charging. The main feature of this constant-current charger is that it can be adjusted to stop the charge automatically at the point of full charge just before the battery voltage begins to fall and over-charging begins. That point occurs at 1.4 volts per cell. Over-charging, if continued, will lead to voltage depression, often called memory effect.

To further protect against voltage depression, one should discharge a Nicad battery to about 1.0 volt per cell after every 5 or 6 charge/discharge cycles. A pilot light rated at an approximate voltage is the best device to use for this purpose.

## CIRCUIT ADJUSTMENT

An accurate voltmeter, digital or otherwise, is needed as well as a variable voltage source. A 5000 ohm potentiometer can be connected temporarily across the main rectifier output and the centre contact adjusted to give the desired voltage.

While this circuit is based on a pack of 7 cells, 9.8 volts fully charged, it can be adapted to batteries of more or less cells by adjusting the start and stop charge voltages accordingly.

The switch S2 connects the voltage sensing circuitry to the positive side of the battery to be charged. It should be closed only after the battery is connected otherwise the charge control circuit will oscillate and the charge relay chatter if the primary power is on.

1) Set R1 for a Vcc of 8 volts measured at pin 8 of the 555 Timer. Connect a variable D.C. voltage source across terminals 2 and 3 and set it to give about 9 volts to simulate the voltage of a battery to be charged. Initially adjust the "Start Set" control to give about 3.4 volts at pin 2 and the "Stop Set" control to give about 4.7 volts at pin 6 of the 555 Timer.

2) Now fine tune the stop and start voltage. Press the "Start" switch to bring on the "Charge" light if it is not already lit. Set the voltage of the variable voltage power supply to exactly 9.8 volts. Slowly adjust the "Stop Charge" control, stopping at the point where the "Charge" light just goes out. Lower the voltage of the variable supply to about 7.0 volts and adjust the "Start Set" control slowly, stopping at the point where the "Charge" light comes on. Of course the voltage at which the charge starts automatically is not critical.

3) It is wise to repeat the first part of step 2 once or twice more to be sure that the charge stops at the proper voltage as this is the most critical adjustment.

4) If the battery voltage is between 7 and 9.8 volts the charger will not charge unless the "Start Charge" switch is pressed. Verify its performance by setting the variable voltage supply to about 8 volts. Pressing the "Start Charge" switch should cause the "Charge" lamp to light. If the battery voltage is below 7 volts the battery should start charging automatically.

## OVMRC Field Day Taking Shape

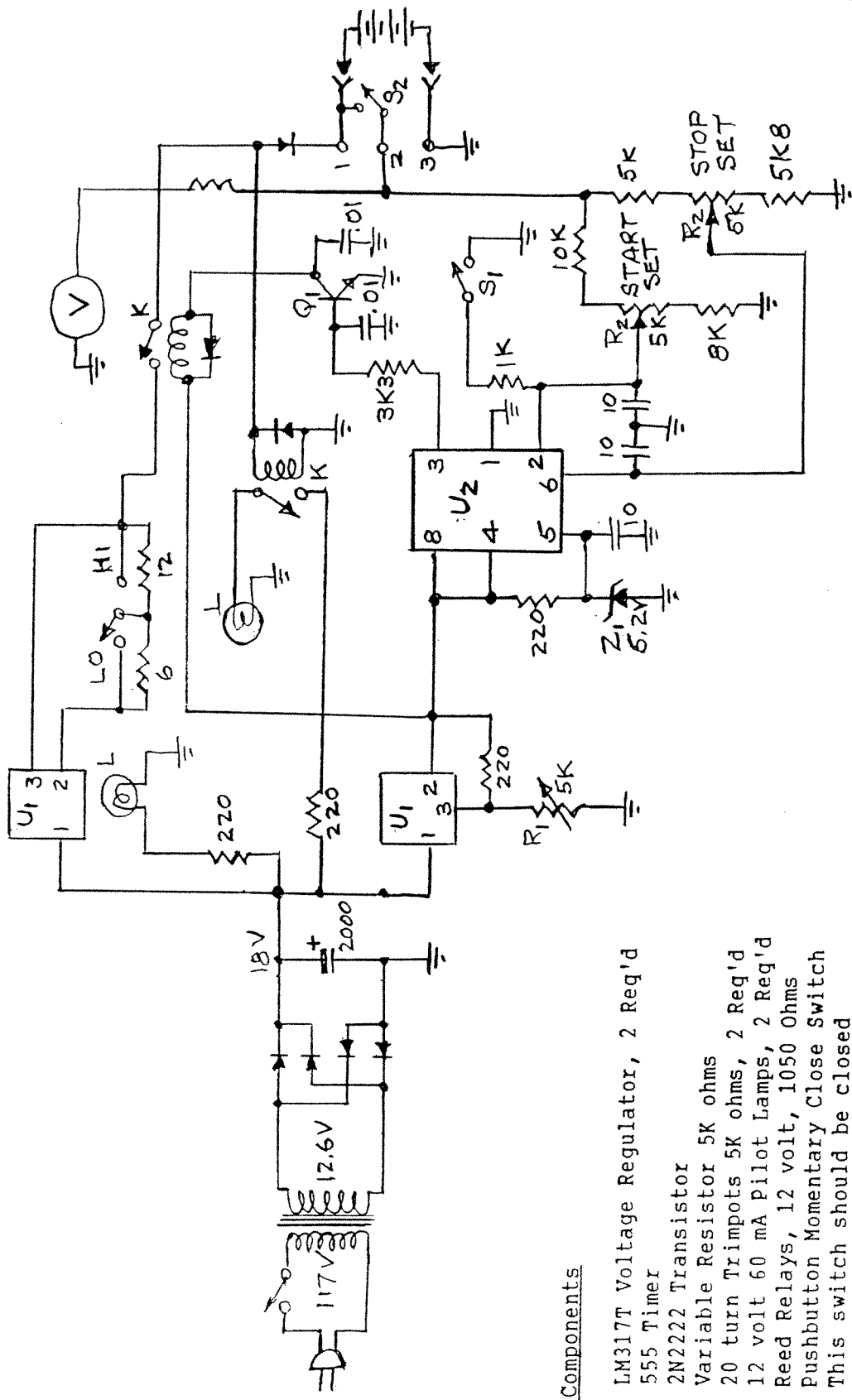
Arrangements and schedules for OVMRC's Field Day efforts are quickly taking shape. Arrangements for most of the required equipment have been made, promotion and publicity planning is well underway, and schedules are now the main focus of the Committee. Jake, VE2TQX, Committee

Chairman, is requesting that operators contact him as soon as possible so that they can be scheduled into the time slot they want. Remember, Field Day runs for 24 hours, without break so operators are required 'round the clock for -packet, CW, phone, ATV, and possibly EME.



# AN AUTOMATIC CONSTANT CURRENT CHARGER FOR NICAD BATTERIES

Bill Wilson, VE3NR



### Key Components

- U1 - LM317T Voltage Regulator, 2 Req'd
- U2 - 555 Timer
- Q1 - 2N2222 Transistor
- R1 - Variable Resistor 5K ohms
- R2 - 20 turn Trimpots 5K ohms, 2 Req'd
- L - 12 volt 60 mA Pilot Lamps, 2 Req'd
- K - Reed Relays, 12 volt, 1050 Ohms
- S1 - Pushbutton Momentary Close Switch
- S2 - This switch should be closed only when the battery has been connected.
- Z - 5.2 Volt Zener Diode

### Rates of Charge

- High - 320 mA
- Low - 160 mA

# It's OVMRC's Flea Market Time !

The ritual of spring for amateur radio operators in the greater Metropolitan Ottawa area, including the outlining areas, is attendance at the OVMRC's Flea Market.

This year the flea market will be held at the Stittsville Arena on Saturday, April 26th. Admission is \$2.

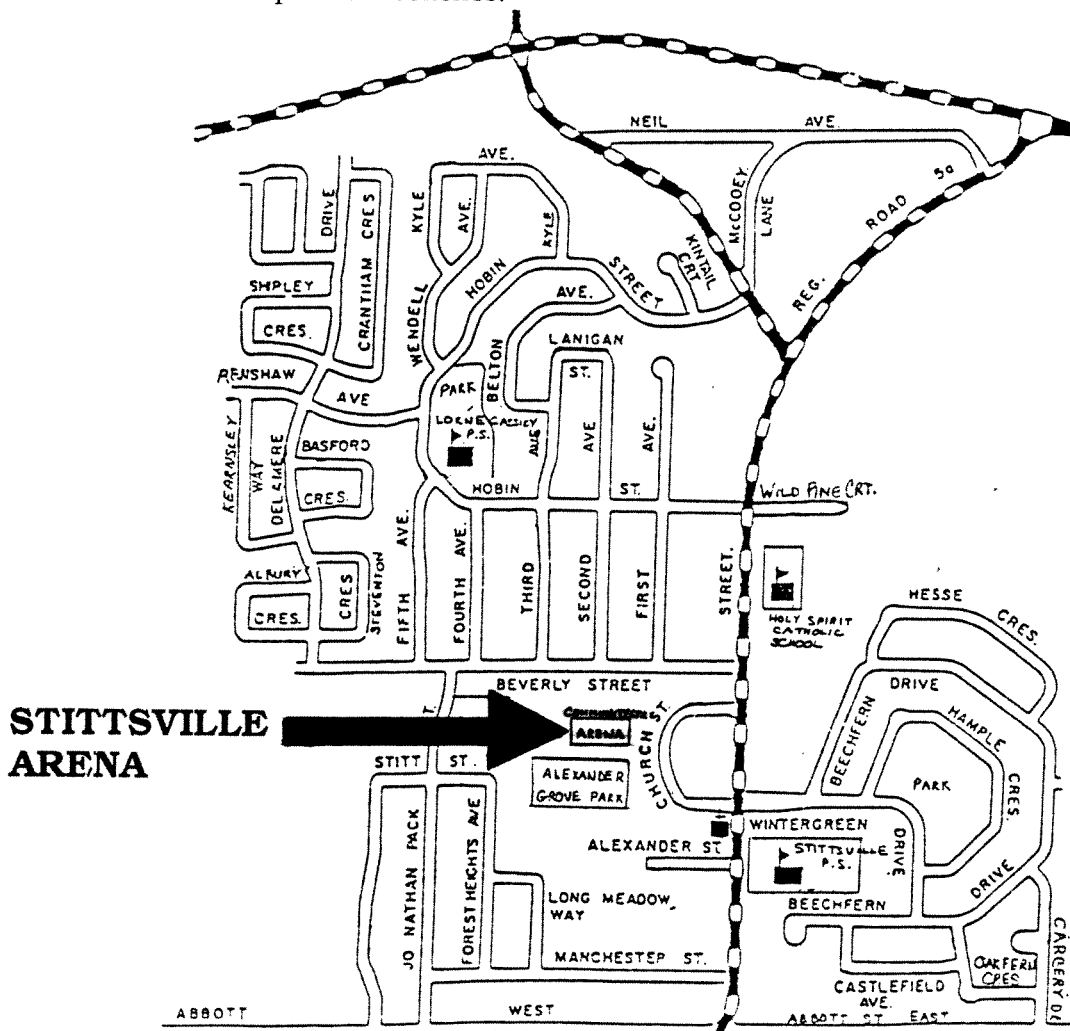
Flea Market Chairman Ken Barry has described the Stittsville Arena as the ideal location for a flea market as the arena is relatively easy to get to, there is ample free parking, there is loads of room in the arena to move around or get together with friends for a ragchew and when you get tired and want to rest for a few minutes there are the spectator benches.

Ken has reported that as of the end of March, thirty some tables had been reserved which includes several commercial dealers.

"Everything points to a really good flea market this year," Ken said. "All we need are the buying amateurs to complete the circle. Our Social Convenor, Ann Asmus, has graciously agreed to again provide the Flea Bite so we can look forward to a variety of delicious treats being available. I am really looking forward to a banner event," he concluded. Make your plans now to join the gang at the Stittsville Arena on Saturday, April 26th



for the OVMRC's annual Flea Market



# Potpourri

*A sampling of news and comments  
from newsletters and newspapers  
from across the country - written  
by Jacques Choquette, VE3TSC*



**Newsline Radio** - Ham radio has assisted in treating a sick child in Brazil. Dr. Jeff Zlotnick, KB2EVB, of Pennsylvania, was able to provide some "over the air" aid via phone patch when the call went out from PP8ZBL on the Maritime Net.

**Monitoring Times** - The following could apply to ham radio. Ted Turner of FOX says that if folks don't like what they see on TV, they should shut it off. "People are realizing the total effect of watching so much stupid, sleazy, lousy, violent, exploitive material. The way we use TV is like alcohol. One or two drinks before dinner will not hurt you but a fifth a day can kill you."

**Washington, D.C.** - Plans are afoot to expand the HF bands. The National Telecommunications and Information Administration notes "that the HF bands are flexible enough to accommodate new and bigger HF allocations". Proposed are: exclusive worldwide use of 3500-3800, 6900-7200 to avoid QRN from the SW stations and expanded worldwide of 10100-10350, 14000-14400.

**London** - Since the movie "Twister", tornadoes instead of being measured on the Fujita scale are now scaled with the MOOjita scale: M0 - cows in open field, turn parallel to wind and become mildly annoyed, M1 - cows are tipped over and can't get up, M2 - cows roll in the wind, M3 cows tumble and bounce, M4 - cows are airborne, M5 - steak!

**Wireless Week** - It seems that cellular phones can also not be used against crime but as weapon:

- 1) A police officer shot a motorist who waved a phone at him. He thought the phone was a gun.
- 2) A jail guard is going to trial after smuggling a cellular phone to an inmate. The prisoner is accused of using the phone to discuss a murder.
- 3) A person was videotaped using a phone to

attack a boxer at New York's Madison Square Gardens.

**Toronto** - Digital Audio Broadcasts are coming to this area. A group of private/government broadcasters who operate from the CN Tower transmission site have started work on a microwave digital transmitter to simulcast 14 stations. CBC in Nov 96 had applied for licenses to service Canada's population with DAB transmitters. Signals are hoped to be on the air in Toronto and Montreal by the end of 1997.

**QST Feb 97** - On his way to bed Scotty W8KXX of San Diego looked out his window to see that his car was missing. His vehicle whenever powered contains an APRS station that automatically transmits its GPS based position. Scotty checked his home APRS station to discover that his car was on the other side of town. He telephoned the police who had to be convinced by Scotty showing them his home APRS station before they believed him. The police relayed the APRS position of Scotty's mobile to a police cruiser - who just happened to be stopped at a traffic light beside the missing vehicle! The automobile was recovered shortly after.

**Internet** - For those DX'rs or just curious here is an excellent site for world time zones. You have a choice of either a world map or search of countries by alphabet ->[tycho.usno.navy.mil/tzones.html](http://tycho.usno.navy.mil/tzones.html).

**Newsline Radio** - Bob KC5LHL and two other balloon pilots will, later year, climb into a sealed aluminum capsule and ascend to the edge of space under a 450 foot balloon named the Dymock Flyer. There the earth's winds will carry him around the globe and back to his Australia launch site. Martin will be carrying an airborne ham radio station and which will be available for QSO's during the flight. For more info: [www.dymocksflyer.com](http://www.dymocksflyer.com)

IT'S A NEW PROGRAM !

# OVMRC AMATEUR OF THE YEAR

THE EXECUTIVE, AT ITS FEBRUARY MEETING, DECIDED TO INTRODUCE A NEW ANNUAL PROGRAM WHICH WOULD RECOGNIZE A CLUB MEMBER FOR " OUTSTANDING CONTRIBUTION TO THE HOBBY OF AMATEUR RADIO". THE RECOGNITION WILL BE GIVEN WITH A SUITABLY ENGRAVED PLAQUE DESIGNATING THE RECIPIENT AS THE "OVMRC AMATEUR OF THE YEAR".

IN AN EFFORT TO MAKE THE SELECTION PROCESS AS OPEN AS POSSIBLE AND TO GIVE THE DESIGNATION CREDIBILITY, THE CLUB'S MEMBERSHIP WILL BE ASKED TO NOMINATE FELLOW MEMBERS WHOM THEY FEEL HAVE EARNED THE HONOUR TO BE CONSIDERED FOR THE "OVMRC AMATEUR OF THE YEAR" AWARD.

THE NOMINATION FORM AT THE BOTTOM OF THIS PAGE IS TO BE USED TO NOMINATE MEMBERS. ALL OF THE NOMINATION FORMS RECEIVED WILL BE REVIEWED FOLLOWING OUR APRIL MEETING. THE THREE MEMBERS RECEIVING THE MOST NOMINATIONS WILL BE LISTED ON A BALLOT WHICH MEMBERS WILL RECEIVE AT THE MAY MEETING AND BE ASKED TO RANK THE CANDIDATES 1, 2, 3. THE MEMBER RECEIVING THE MOST POINTS WILL BE DECLARED THE WINNER AND THE "OVMRC AMATEUR OF THE YEAR" AT OUR JUNE MEETING.

.....DETACH ALONG THIS DOTTED LINE.....

## NOMINATION FORM OVMRC AMATEUR OF THE YEAR

I wish to nominate \_\_\_\_\_ call sign \_\_\_\_\_  
for the "OVMRC Amateur Of The Year".

Please provide a short explanation of why your nominee deserves to be honoured.(use an additional sheet of paper if required)

---

---

---

---

This nomination was submitted by \_\_\_\_\_