

The Ottawa Valley Mobile Radio Club
RAMBLER

Volume 35, Number 7/8 - July/August, 1992

Fantastic Field Day fun-fest – the highlights

by Vic Bajaj, VE3BSV

Due to time and space constraints, we don't have room for Vic's fine article. Here are just a few snippets. Read the whole thing – complete with scores and pictures – in the next issue. Ed.

As the chairperson of the Field Day committee, I look back on this year's Field Day as an example of the amateur spirit displayed in its highest form by the members of the OVMRC. The hard work and dedication of the committee members, in conjunction with the striking turnout, resulted in a day to remember for all who were present. ...

... At least 30 people turned out for the set-up, and it was a very smooth operation. Under the expert direction of Harry Splett, VE3HHS, a tower and triband beam was assembled ...

... Marcus, VE3MDL, was responsible for packet operations. Clare Fowler, VE3NPC, once again provided his satellite station. Generators for the operation were provided by Eric Still, VE3OTT, and Harry Jones, VE3HYS, from CFRA. The OVMRC was once



Field Day generated lots of enthusiasm among club members

again fortunate enough to get military tents and tables from Mike Beausoleil, VE3BGP. Finally, the most important part of the Field Day – the food – was organized by Richard Hagemeyer, VE3UNW ...

... The CW station, as usual, did a fine job under the direction of Brice, VE3EDR, ...

... Marty, VE3XRV, kindly lent us his TS-440SAT after the rig in the CW station was damaged in a natural power accident ...

... About 45 people turned out in total, and their electric enthusiasm resulted in a claimed score of about 3600, in spite of adverse

propagation ...

...this was the first Field Day for many amateurs. The large number of newly-licensed amateurs and course graduates who attended indicates the vibrant spirit of this event and the OVMRC in general ...

... this year's Field Day was very successful by all measures. I would like to extend my sincere congratulations to the members on a job well-done ...

... If you have any ideas or comments, or if you can help out next year, please call me at (613) 726-9270 ... (...full article next issue)

Silent Key – Blair Conlin, VE3SHG

Members of the club will be saddened to learn that Blair, VE3SHG lost his valiant fight with cancer on July 24, 1992. He was 33. Although he had held his license for only two years, he was well known to many of our members, particularly the new hams. The club Executive extend sincerest sympathies to his family on behalf of all members. His family would appreciate in memoriam donations to the Canadian Cancer Society.

REMINDER!!

If we have not received your renewal by September 1992, your name will be dropped from the upcoming membership directory. Don't forget to renew! Remind your friends!

RAMBLER

The *Rambler* is published monthly by:

The OVMRC
Box 5530, Station F
Ottawa, Ontario
Canada K2C 3M1

Opinions expressed in the *Rambler* are those of the authors, and not necessarily those of the Ottawa Valley Mobile Radio Club, Incorporated, its officers or its members. Permission is granted to republish the contents, in whole or in part, providing the source is properly acknowledged. Commercial use of the contents is expressly prohibited.

The 1992-1993 OVMRC executive

President: Bob Sharp, VE3YBC, 731-7089
Vice-President: Larry Wilcox, VE3WEH, 741-2450
Past President: Jerry Wells, VE3CDS, 225-7374
Treasurer (acting): Judy Taetz, VE3PAB, 822-9037
Secretary: Larry Woram, VE3WLN, 835-2959

Standing committee chairs

Amateur radio exhibit: Cy Webster, VE3SIY, 733-2371
Amateur radio training (acting): Doug Carswell, VE3ATY, 839-5854
Field day: Vic Bajaj, VE3BSV, 726-9270
Flea market: Ken Barry, VE3KJB, 746-4823
Historical (acting): Pat Brewer, VE3KJQ, 825-8721
Hysterical: Neil Herber, VE3PUE, 829-4668
Membership: Mike Beausoleil, VE3BGP, 739-8871
Newsletter: See hysterical (don't ask)
Publicity and programs: Keith Beardsley, VE3SVQ, 731-7912
Radio operations: Ian Kennedy, VE3SNX, 747-8387
Technical: John Pope, VE3ACI, 989-3629

Rambler committee

Editor: Neil Herber, VE3PUE

Columnists:

Class of '92 – Ron Clement, VE3UWR & Roger Rose, VE3XRR
News & Views – Larry Woram, VE3WLN
Ramblings – Bob Sharp, VE3YBC
Upcoming Events – Leo Desjardins, VE3NVL
Your Favorite Topic – Your Name, try it, you'll like it!

Circulation:

Fred Haire, VE3NJF
Eric Still, VE3OTT
Kevin Still

Mark Your Calendar!

Next general meeting:

Thursday, September 17, 1992 19:30 EDT
in the auditorium at the National Museum
of Science and Technology.

Next executive meeting:

Thursday, September 10, 1992 19:30 EDT
in the volunteer room at the National Museum
of Science and Technology.

Deadline for the next issue of the Rambler:

Thursday, August 27, 1992.

Affiliated clubs

The OVMRC exchanges bulletins with the following organizations:

Augusta Amateur Radio Association, Augusta, ME
Border City Radio Club, Windsor, ON
CARF, Kingston, ON
CRRL, Arva, ON
Chatham-Kent Amateur Radio Club Inc.,
Ridgetown, ON
Calgary Amateur Radio Association, Calgary, AB
Halifax Amateur Radio Club, Halifax, NS
Heritage Amateur Radio Club, Cobourg, ON
Kingston ARC, Kingston, ON
London Amateur Radio Club, London, ON
Ottawa Amateur Radio Club, Ottawa, ON
Pioneer Amateur Radio Club, Nepean, ON
Scarborough Amateur Radio Club, Inc.,
Scarborough, ON
Sudbury Amateur Radio Club, Sudbury, ON
Saskatoon Amateur Radio Club, Saskatoon, SK
Thousand Islands Amateur Radio Association,
Prescott, ON
West Island Amateur Radio Club Inc., Dorval, PQ

Sponsors

The OVMRC provides bulletins to the following organizations for their past support of our activities:

Bytown Marine, Ottawa, ON
Kenwood Electronics Canada Inc., Mississauga, ON
Seaway Communications Co., Cornwall, ON

We gratefully acknowledge the support provided by Dy-4 Systems in printing the Rambler.

Ramblings

Words of wisdom from our President, Bob Sharp, VE3YBC

Well, now that summer is almost over, it's time to get into your shack, dust off the radio equipment and get ready for the rest of the year. I hope that everyone had a great summer. Now that you have fulfilled your family duties lets hope you can find the time to play radio.

As you know, our club held elections (acclamations) at the June meeting. The executive has a different look with lots of new faces at the controls. Your executive officers are, for the most part, new amateurs with a few experienced hams thrown in for seasoning. I should add that even though we are new, we are all very enthusiastic and willing to serve our club.

Our big summer event – Field Day – went very well thanks to Vic VE3BSV and his committee. (Take a well deserved bow.) I'll let Vic fill us in on the final outcome in his report, but I have one question to pose.

There has been great debate over the new licensing structure – especially concerning the CW requirements. Many hams have stated that “without CW the new hams aren't real amateur radio operators”. My question is: If the above statement is true, where were all the real amateur radio operators for the CW tent on Field Day?

Brice had a heck of a time filling all the time slots and many of the operators worked many more time slots than they had originally signed up for. Now before you start calling me to complain about my knocking Morse code, remember, I'm not knocking Morse! I'm just wondering why in a club the size of ours, we could not find 20 CW operators for the biggest and most important event of the year.

Outside of CW operators the next hardest thing to find seems to be net controllers. The club sponsors three nets on a weekly basis:

the Pothole net, the No Name net and The Wise Owl net. Net controlling is actually easier than it seems and also provides a great service for the amateur community. Our net managers Ian VE3SNX (Pothole net), Dave VE3TVU (No Name net) and Leo VE3NVL (The Wise Owl net) are always looking for net control stations and your help would be greatly appreciated. Give them a call and help out your club.

I could not write my first column here without thanking last year's executive – especially our last two presidents Jeff VE6RCI and Jerry VE3CDS. It was through the efforts of the executive that our club enjoyed great success last year. With your support this years new slate of executive officers will be equal to the task of keeping the OVMRC the biggest and best radio club in eastern Canada. See you at the September meeting.

– 73 de VE3YBC –

Net name	Day and time	Frequency	Sponsor	Notes
Pot Hole net	Sunday, 1000 hrs	3.760 MHz	OVMRC	includes swap net
Pot Lid net	Sunday*, 1100 hrs	3.620 MHz	OVMRC	slow-speed CW
Telephone Pioneer net	Sunday, 2000 hrs	3.740 MHz (on or about)	PARC	covers eastern Canada
Six-meter Group net	Monday, 1930 hrs	147.30 MHz+ (VE3TWO)	OVMRC	6m interest group
Capital City FM net	Monday, 2000 hrs	146.94 MHz– (VE2CRA)	OARC	includes swap net
Packet Voice net	Monday, 2030 hrs	146.94 MHz– (VE2CRA)	OARC	Q&A about packet ops.
Kingsmere Traffic net	M, W, F, 2100 hrs	147.36 MHz+ (VE2KPG)	KPGRA	carries formal traffic
Military net	Tuesday, 2000 hrs	147.30 MHz+ (VE3TWO)	OVMRC	give a listen
No Name net	Wednesday, 1900 hrs	147.30 MHz+ (VE3TWO)	OVMRC	for new hams & old
Cumberland Emrg. net	Wednesday, 1930 hrs	147.03 MHz– (VE3TEL)	PARC	practice for operators
Amateur Video net	Wednesday, 2000 hrs	147.03 MHz– (VE3TEL)	PARC	Q&A about amateur video
Six-meter Group net	Wednesday, 2000 hrs	52.525 MHz simplex FM	OVMRC	6m interest group
The Wise Owl net	Friday*, 2000 hrs	147.30 MHz+ (VE3TWO)	OVMRC	ragchew
Champlain Mini-net	every day, 1845 hrs	147.06 MHz– (VE3STP)	CRRA	a daily VHF FM net

* except July and August

Minutes

Secretary's minutes from the last general meeting, by Larry Woram, VE3WLN

OVMRC general meeting
June 18, 1992

1) Call to Order

The meeting was called to order at 19:40 hours by the President, Jerry Wells, VE3CDS. Jerry welcomed all members, guests and visitors. Visitors welcomed included John Swizawski, VE3SIO, David George, John Cain, Leonard Chodat and Trojan Rudolf.

2) CARF Bulletin

Dan Holmes, VE3EBI, read the highlights of the latest CARF bulletin. Highlights included the announcement about the Canada Day Contest and the Kingston Amateur Radio Club Flea market to be held on September 19, 1992.

3) Field Day

In the absence of Vic Bajaj, VE3BSV, Mike Beausoleil, VE3BGP, reported that volunteers were still needed for setting up and dismantling the site, transporting equipment, food preparation and to operate the various stations.

4) Announcements

Bob Sharp, VE3YBC, announced that amateur radio operators would be providing communications for the Italia Festival bike race held on June 21. Repeater VE3TWO would be used. Bob also announced that as of Saturday a 6m repeater, VE3RVI, would be on the air on 52.525 MHz. Thanks were extended to VE3RDZ, SPF, IMT, FFK and KMB.

Chuck King, VE3PDK, announced that a new certificate was available for recipients of the Wise Owl Net awards. Those who received their awards at the flea market may contact Chuck if they wish to receive the new format.

Denis Rule, VE3JGR, announced that he had discussed with McLean Hunter the possibility of producing a half-hour program to be televised over channel 22. The program's tentative title is "What is Amateur Radio?" Denis indicated that he may be leaving for Singapore for one year and if so, he would require someone to take charge of the project. More information will be forthcoming.

Ed Sieb, VE3RDZ, announced that anyone interested in purchasing RG-213 coax should contact him. The cost was forty cents a foot.

5) 1992/93 Budget

Jerry drew to the members attention this year's proposed budget as printed in the *Rambler*. Questions from the floor were called for. The increase in expenditures for the flea market expenses was explained as accounting for the purchase of the license frames, all of which are not yet sold. Chuck, VE3PDK, moved that the budget be accepted as published; Jack, VE3TTX, seconded the motion. The motion was passed.

6) Guest Speaker

While the club does not normally have a speaker for the June meeting, Gerry King, VE3GK, asked to speak. In his brief presentation he assured the audience that he was active on 2m, 70cm and 20cm. He also produced a 5-element 2m yagi from his pocket which he made at a cost of \$8.13. This project will be featured in an upcoming issue of *The Canadian Amateur*.

7) Elections

Prior to the elections, Jerry took the opportunity to personally

thank the present executive members and chairs for their contributions to the club. Those so recognized were: Pat Brewer, VE3KJQ, Chuck King, VE3PDK, Judy Taetz, VE3PAP, Ted Paull, VE3KEH, Larry Woram, VE3WLN, Ed Sieb, VE3RDZ, Cy Webster, VE3SIY, Doug Carswell, VE3ATY, Ken Barry, VE3KJB, Keith Beardsley, VE3SVQ, Vic Bajaj, VE3BJV, Neil Herber, VE3PUE and Mike Beausoleil, VE3BGP.

Nominations from the floor for the various offices were called for and the following individuals were elected for the 1992/93 year:

Past President: Jerry Wells,
VE3CDS

President: Bob Sharp, VE3YBC
Vice President: Larry Wilcox,
VE3WEH

Secretary: Larry Woram, VE3WLN
Treasurer: (*The position of treasurer will be appointed by the executive at an upcoming meeting.*)

Amateur Radio Exhibit: Cy
Webster, VE3SIY

Amateur Radio Training: Doug
Carswell, VE3ATY**

Field Day: Vic Bajaj, VE3BJV

Flea Market: Ken Barry, VE3KJB

Historical: Pat Brewer, VE3KJQ**

Membership: Mike Beausoleil,
VE3BGP

Newsletter: Neil Herber, VE3PUE

Publicity & Programs: Keith
Beardsley, VE3SVQ

Radio Operations: Jerry Wells,
VE3CDS **

Technical: John Pope, VE3ACI

** (*These members will act in an interim capacity pending the positions being filled on a permanent basis*)

See Minutes page 6

News & Views

Tidbits from here and there, by Larry Woram, VE3WLN

Before starting our trip across the country, I would like to thank Pat Brewer, VE3KJQ, for his contribution to the *Rambler* in writing this column over the past years. I have always enjoyed reading Pat's column and learning what was happening across the country. Thank you Pat.

We start this month in Halifax with the Halifax ARC newsletter, *Reflector*. On May 23, HARC held their very successful Downeast flea market. Carl Bauer, VE1BOU, won the grand prize, a Kenwood TH-77A, kindly donated by Kenwood Electronics Canada. The Waverly Search & Rescue Team reported an ICOM IC228H 2m mobile transceiver, s/n 03374 and a Panasonic portable cellular phone, s/n 91081 stolen. On the lighter side, Gary, VE1RGB, wrote a humorous article, "How to Tell One Ham from Another." Gary aptly noted, "all hams still have a few points in common; all are born innocent of the ravages of the hobby..."

From Halifax we move south to Augusta, Maine and the *Augustan*. The President, Skeet Smith, KA1LPW is a good friend of Betty Broome, VE3ZBB. He acknowledges the many articles reprinted from the *Ramblers* that Betty sent him, and proposes that they make the OVMRC an affiliate club.

Moving north we stop at Ottawa and *TelePARC* of the Pioneer Amateur Radio Club. Doug Bannard, VE3SPF, was elected first vice-president. PARC will provide communications for the Multiple Sclerosis bicycle event on August 8 and 9. In his editorial, Bill Westbrook, VE3EKA, observed that it would be great if mankind smartens up at the same rate as computers have.

The OARC's newsletter, *The Groundwave* referred to a CQ article which reported that the electrical system of Toyota Camrys can be damaged if a mobile radio greater than 10 watts is used in the vehicle. Anyone buying a new vehicle should check with their dealer first.

Moving west, the Chatham-Kent ARC *Clear Signals* announced their upcoming golf classic on August 30. (Sounds like a good idea) They also carried the Toyota story and reported that it cost the unfortunate owner, W8JH, \$1115.00 to replace the main computer in his car.

The London ARC *Bulletin* announced their 15th annual flea market to be held on September 27 from 0900 to 1400 hrs. Talk-in will be on VE3LON, 147.06 MHz+. Admission is only \$5. They also noted that the *Bulletin* was available to members in "talking book" format for the visually impaired. [We intend to have the *Rambler* available on disk for visually-impaired members. Ed.]

In the Border City Radio Club *Newsletter* President Bill Leal, VE3ES, paid a fitting tribute to three silent keys, Bill Lefler, VE3BMW, Dave Jolly, VE3PJI, and Don Martin, VE3FQN. The BCRC proudly announced the "Class of 92," twenty newly-licensed amateurs who went through the club's licensing program. Congratulations.

Moving further west, the Saskatoon Amateur Radio Club *Feedline* announced the SARC Ham Fest in Saskatoon on July 24 and 25. The Wheat Belt Award is available to any amateur providing 2 IRC's and a copy of their log indicating contact with 10 SARC members. *Feedline* also reported that a group of amateurs in the US headed by

W5YI are producing high-quality video tapes on amateur radio. They intend to produce 39 tapes, each 30 minutes long with guest celebrities. They plan to promote all aspects: HF, VHF, UHF, RTTY, Packet, SCTV, Amtor, and so on. Tune to 14.274 MHz in the afternoons for more information.

A little further west, the Calgary Amateur Radio Association *Key Klix* advised their members of the upcoming field day events co-ordinated by Jeff, VE6RCI. I am sure that with Jeff behind the slingshot that their antennas got up. CARA received a letter of thanks from the Salvation Army for providing volunteers and vehicles to pick up pledges from a fund raiser. This type of community service pays large benefits both for the community itself and the hobby. Congratulations. CARA wants to provide Alberta repeater lists to tourist facilities and border crossings for visiting amateurs. On July 17, 18 and 19 the Glacier - Waterton Hamfest was hosted by the Canadian committee with help from friends in W7 land. The three-day event included CRRL and ARRL guest speakers, QLF contest, high speed CW contest, junk auction, swap meet, transmitter hunts, seminars, Canadian and US amateur radio examinations, and more. Sounds like a good time.

On field day this year, I was enroute to Buffalo, NY, and I had the opportunity to visit the Ogdensburg, Rochester, and Niagara ARC field day stations. I hope I have solicited a couple of new affiliate members for the OVMRC so we can exchange newsletters and find out what they are doing south of the border.

-73-

Mister Ed.

The Talking Horse, by Neil Herber, VE3PUE

New Rambler editor - same old problems

Well, I suppose I should have something very clever to say to start off my tenure as *Rambler* editor. Unfortunately I don't, but I'm not really worried. The most important thing about being *Rambler* editor, is getting it out on time. Cleverness can wait. If necessary, quality can wait, too. This is one time when I feel no twinge of guilt saying, "Quantity is more important than quality."

I come by this opinion honestly, because I am a member of an organization (of graphic designers, in fact) that has managed to publish its newsletter just once in the past two years. Even worse, meeting notices are usually sent out so late that people get them after the event. The executive then sit around and try to figure out things like: Why don't we get better attendance at our meetings? Why does no-one volunteer to help out on committees? And how come the same saps keep getting elected?

I contend, and I'm still waiting to be proven wrong, that if they could get out a regular newsletter, things would improve dramatically. This brings me to the burning questions of the OVMRC.

Almost since the beginning of recorded time, Chuck, VE3PDK,

has done yeoman service popping out *Ramblers* as regular as clock-work. Canada Post permitting, they arrive before the events they announce. They are full of info about the club. They even contain the minutes of previous meetings, so you can keep up when you miss one.

And, hey! Presto!, we get pretty good attendance at our meetings. People are enthused about the club. And yet...

When past-prez Jerry stood at the front of the masses in June and intoned, "Are there any nominations for ...", it had the same effect as if he had asked for a minute's silence to honour the memory of a silent key. The hair rose on the back of my neck as the words from the other club rattled around in my head, "Why does no-one volunteer to help out on committees? And how come the same saps keep getting elected?"

Am I going to be forced to eat my words? Is a punctual newsletter not enough? Am I asking too many tough questions?

I think I know some of the answers. Graphic designers can't put out a newsletter because they spend all of their energy on coming up with the "perfect" design. They have paranoid fears that their

peers will look at the newsletter with unforgivingly critical eyes. So the newsletter never appears.

In the amateur world, 90% of the hams just want to talk (seems pretty obvious!), 5% just want to listen, and the remaining 5% actually want to build things, try experiments, help out at public service events and get involved in club executives. Out of our membership of 270, 5% is 13.5 people. This means that we should be amazed if we ever get more than 13.5 people actively involved in club business.

If you find this hard to swallow, look at the election results. Fifteen positions were up for grabs, but only 13 were filled.

Before you get ready to write and tell me what a fine crop of new executives we have, etc., etc., I agree! But don't let these fine people flap in the breezes - volunteer to help out with something. I, for one, will accept any sort of articles for the *Rambler*. But I need YOU to write them.

To those brave souls who have already heeded my call for papers, Thank you! To those who are considering the plunge, please take it. Come on in, the water's fine.

-73-

Minutes from page 4

A volunteer was asked to take over from Sue, VE3SLC in preparing the coffee and cookies after each meeting.

8) Door Prizes

Door prizes were won by Bill, VE3TTX, Gerry, VE3GK (2m repeater directory), Pat, VE3KJQ

and Joe, VE2JHT.

9) Transfer

Jerry congratulated Bob in his election as club President and turned over the official "Key to the Executive Washroom". Bob thanked Jerry and asked the audience for a vote of thanks to the executive and especially Jerry. Jack, VE3TTX, seconded the

motion. A plaque was presented to Jerry in appreciation of his dedicated devotion to the club and to amateur radio.

10) Adjournment

Meeting was adjourned at 21:15hrs. and was followed by coffee and ragchew.

-73-

Class of '92

by Ron Clement, VE3UWR & Roger Rose, VE3XRR

Rambler articles lost by computer - experts baffled!

Somehow the article written by Ron Clement and Roger Rose that was intended for the May Rambler never made it past the disk drive door. So here are two (!) articles to make up for it. Ed.

MIA, April 1992

We can feel it all around us. The anticipation is as thick as the radio propagation. The students are thinning out, the 2m handhelds are floating around, squelching once in a while. Sorry folks, but the course needs to be restructured a little. We had to cancel a few classes so we will have to let you work on your own on some of the material. No one has a problem with that.

As we write this, there are two classes left. One of which, we are told, is one of the most important subject we will have to deal with – EMC (electromagnetic compatibility) – in short, interference.

March saw a number of students pass their 5 and 12wpm. Congratulations to Jeff, VE3WWH and Darrin for passing their 12wpm. By now, there is no question that the majority will get their 12wpm. All we have to do is look at the good guesses made by some of the students when they miss a letter or a word. It makes for great creative writing. As long as they remember that to pass the test, they have to actually write down what is sent.

We also went through the tubes, the diodes, the triodes and the tetrodes. Of course, who can forget about the solid state devices. Well, you can forget about them but not before the exam, there will be questions...

As we mentioned before, the course had to be extended because

of the lousy weather this winter. The temperature is still fairly cool for the end of March, but we are warming up to the idea that we are really, really, really close, people. Two more lessons and we get to put all this knowledge to the test. If you didn't read between the lines folks, we just want to say that it's time to REVIEW.

By the way, we are glad to pass on a note of congratulations for excellence. At the last club meeting, our illustrious president announced that Darrin had passed the advanced exam and the 12wpm with flying colours – apparently with the best marks the president has ever seen. Take a bow Darrin.

A final note before we all rush out and get our tickets. Everyone should read the excellent article in the *Rambler* titled "Stupid Ham Tricks". For some of us, there were and still are some struggles to obtain the license which will give us an open door to a hobby we see as something to be proud of and have fun with. Maybe we can help others to understand our interest. Hopefully, we will all leave this course with the knowledge necessary to operate our rigs. Along with that, we expect everyone to operate with a sense of pride, disciplining yourself to be as good an operator as you can be. The majority of people live by example and if we are going to enhance this hobby, it is our duty to behave accordingly.

"Discipline starts with yourself".

And now, read on for even more good stuff! Ed.

Bonus article, July 1992

What happened to the last IMI article you ask? Well, we are not quite sure ourselves. We must tell you, however, that we didn't give up writing – but somehow, it was omitted from the last bulletin.

To recap, for the students of class '92: "HIP HIP - HOORAY" (3 times). Many of us have already been recognized at the May and June meetings and our new calls were published for all to see. We hope that you are all proud of the efforts you have made so far to get that call and that you will all continue to learn and experiment with your new-found hobby.

We noted that a good number of us are attending the meetings and some of us have also volunteered to help here and there. And what about Larry, VE3WEH, who was nominated and elected the new vice-president of the club? What an example to follow. We hope the rest of the class will be just as eager to help out with whatever field of interest they may have, be it financial, technical, administrative and – yes – even code work. What is a club for if not for its members?

We also heard that some of you took the initiative and started a VHF net using the club repeater. We always knew that we were good, but what a concept. No one wants to take the blame for that one, and nobody seems to know for sure who the instigator(s) was (were). Unfortunately, we have not joined the net since we don't have equipment yet. However, we have been shopping this week and we should be joining the net in the next couple of weeks.

See *Class of '92* page 10

How to become a world-famous author

by Neil Herber (VE3PUE)

Or at least famous in the OVMRC world. As you should know by now, I was elected OVMRC *Rambler* editor at the June club meeting. I have mixed views about this turn of events – I'm glad to be able to make a contribution to the club; I hope I can live up to the high standards that Chuck, VE3PDK set as the previous editor; I hope that people will make frequent contributions (of words, not money); and I hope that I will be able to add my own stamp to the *Rambler* without changing its essential nature. That's an awful lot of hopes in one sentence, not to mention a lot of semicolons.

So let me strike a bargain with you, Mr or Ms club member. I will put out the best *Rambler* I can and I will put it out on time. By on time I mean that you should receive it (Canada Post permitting) a few days or a week before each club meeting. In return for this promise, all that I ask is that you make a written contribution to the *Rambler* once during the coming year. (I can hear the moans and groans already.) Even if you don't make a contribution, I will still put the *Rambler* out on time - it just may be a little thinner than you expect.

Table of suggested *Rambler* article titles

Why my Icom handie is better than the Kenwood handie
Why my Kenwood handie is better than the Yeasu handie
Why my Yeasu HF rig is better than any handie
(Gerry King, VE3GK may want this one)
How I broke my leg putting up a tri-band beam
AM – the forgotten wonderland
I was logged off MIR
A new source of radio parts
Remote HF operation
Where I went with my 6-meter rig
My homemade pizza-pan antenna
Radio direction finding strategies
Does no-code mean no-brain?
CW – packet for the 1800s

What to write about

Anything even remotely related to amateur radio. The table below lists a few sample titles – I think you'll get the idea(s). In fact, I'll bet there are several ideas lurking about at the back of your brain.

Even if there is a topic that you would like information about, the *Rambler* is a great medium for getting out the message. Chances are good that one of our readers has the answer to your question.

How long a thing should I write?

Your choice! Anything from a few sentences to a couple of pages would be great. (I will collect short bits together and assemble them into a tidbits page.)

Remember that in many cases a picture is worth a thousand words, and we now have the ability to scan 35mm slides, photographs and drawings for inclusion with your article.

Don't worry about spelling and grammar - as editor, it is my job to make sure that these picky details are taken care of. I can't get inside your head to see what you want to say, so I still need you to write the original stuff in your own style and at your own pace. I will take your words and make them *Ramblerese*.

Although you may think you have nothing to say, people are actually quite interested in hearing about your ham radio experiences – and everyone has a couple of tricks stuffed up their sleeve that should be shared with the rest of the club.

A couple of people are obligated to fill up a few pages (the secretary and president in particular) but there are lots of other pages available for your technical tips, operating experiences and so on. Chuck, VE3PDK established a fine tradition of using as much original material as possible, and I would like to keep it up. So do your bit and send me a few words.

How to submit your words of wisdom.

Prepare them on (almost) any word processing software, IBM or Macintosh. Don't worry about



An example of a scanned photo

formatting, I will apply the *Rambler* styles as required. (If you want to make my job easier, avoid multiple spaces or tabs, and only hit return at the end of a paragraph.)

If you do not have access to word processing software, give me a call, and I will set you up with a computer literate "buddy" who can input your article for you. If you already have the article on paper, but not in electronic form, send me a copy and I will have it input by a brave volunteer. (By the way, I'm looking for volunteer keyboarders!)

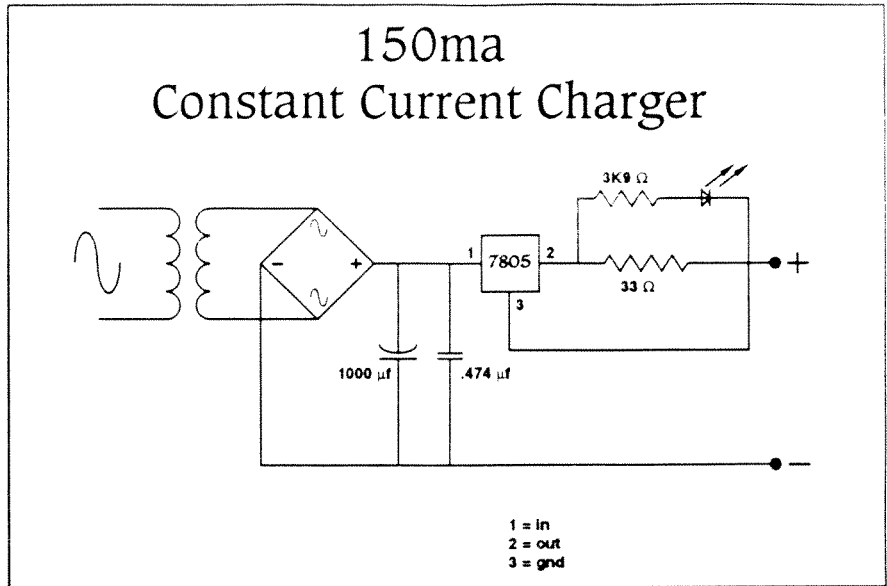
You can send in your electronic copy by modem, on disk, or via packet. Disk or modem are greatly preferred to packet, since packet systems tend to insert lots of extraneous carriage returns.

If you have a 35mm slide or a drawing or photograph that you would like to include, I can scan your original and return it to you unharmed. In addition, drawings prepared on computer can generally be directly imported into the publication from disk. Please call me for specific information.

How long should it be?

Any length is OK. I may have to edit slightly to fit the pages, but let me worry about that.

If you really want to know, a page-full of text is about 800 words (or 4500 characters includ-



This circuit was drawn with a computer-based drawing package

ing all punctuation and blanks). If you have any photos or illustrations, knock off 75 characters per square inch.

If you don't want to count characters, don't bother - I'll trim or pad things to fit.

How often can I (should I) submit?

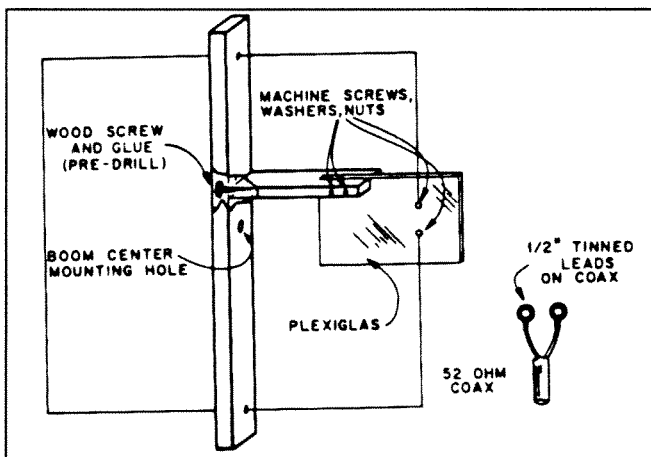
Once is enough. Twice would be great. More than twice would be fantastic. If you find the thought of a large article too daunting, remember that several small articles that get finished are a lot better than one large article that is never quite ready. If each OVMRC member submitted only one

quarter of a page per year, I would have enough material for 11 issues - that's a years worth! (Unfortunately, the submission rate has historically been about one twentieth of a page per member per year.)

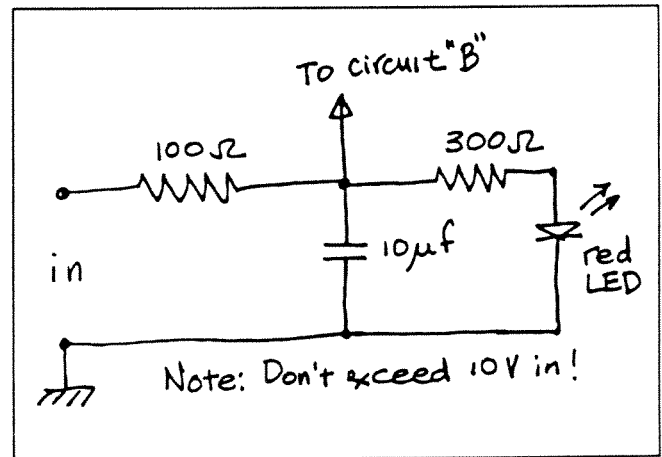
I can't write, but I'd like to help

OK, how about ferrying disks back and forth from authors? Or taking pictures at club events and submitting them? Or passing on that hot tip you just got to someone who will write it up? Just sharpen up your brains and get to it. Let's keep the *Rambler* the best!

-73-



This illustration was scanned directly from the ARRL Antenna book



This circuit was hand drawn and then scanned

Magical mix of mikes and bikes

by special by cycle correspondent,
Mike Kelly, VE3FFK

The Italian Festival Bicycle
Criterion June 21/92

Eighty-one cyclists, one hundred kilometres and sixty-one laps of a circuit in the middle of a street party.

Communications for this chaos on wheels was provided by a dozen hams. Many were newcomers to amateur radio. Some were hams of long standing but new to public service events. All did the job well, even through multi-bike crashes, unauthorised vehicles on the course, and disputes among the various organisers about when and where the traffic barricades should go.

Thanks to VE3s BUP, Mike; FFK, Mike; KMV, Dave; NJM, Ric; RUU, Steve; SJN, Rob; SNX, Ian; TGS, Ted; TYJ, Al; TZR, Pat; YBC, Bob; and to those who offered to help on the day of the event.

Although all the spots were filled ahead of time, it is reassuring to know that there are people (who can't schedule their weekends) who are willing to jump in and help fill any last-second vacancies.

Thanks also to those who would normally use the repeater, but stayed off of it, keeping the frequency clear for the race. If you think you might like to sample the public service aspect of amateur radio, let Ian VE3SNX know you are out there.

73, and see you at the next event..mk/VE3FFK

Now, if I were Chuck, I'd be tempted to fill this little awkward white space with some old radio joke that was worn out before tubes were invented. Fortunately for him, I have the capacity to resist. Ed.

More membership madness!

The OVMRC grows bigger by the day. Make sure to extend a warm welcome to the following new members:

Paul Reed, VE3QY
Jacques Choquette, VE3TSC
Richard Hagemeyer, VE3UNW
Ian Martin, VE3PSK
Marg McKinley, VE3EQE
Larry McKinley, VE3CPG
Roger Delanger, VE3KKR
Moe Cluff, VE3JTD
Mike McKay, VE3UMC
Edward Robinson, VE3MYC

And a special hello to the members of the Heritage Amateur Radio Club, Cobourg, ON, our newest affiliate club.

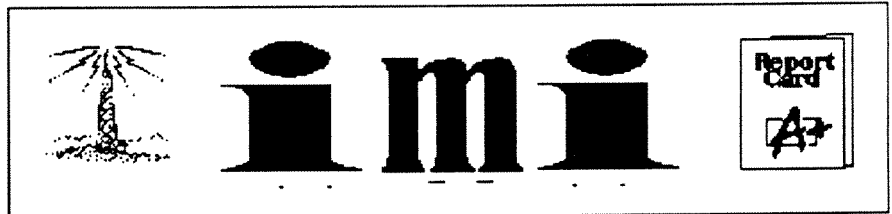
No room in this issue to thank everyone who has renewed, but then you know who you are!

Class of '92 from page 7

Going back a few months, some of the students were inquiring about the name of this article (IMI). To enlighten those of you who are still struggling to figure it out, here is the explanation. In Morse code, a question mark is:

DIT-DIT-DAH-DAH-DIT-DIT.

If mistaken as three individual characters, it becomes I-M-I. End of mystery. Of course the tower represents radio communication to far away places and the report card represents us – the students. By putting all of these together, we have a bunch of students asking questions about ham radio. We are now questioning whether we should keep this logo or not. We would certainly like to continue writing for the *Rambler* to represent the class of '92. Maybe we can just call it Class of '92? [Offer gratefully accepted! Ed.]



The extremely rare IMI logo is now all but extinct

This brings up a point of interest. As members of the class, would you like to see articles in the *Rambler*, outlining your current and future accomplishments? Maybe you could advertise a project you have in mind or ask for help with a piece of equipment that is giving you problems. Whatever the item, we would be willing to be your mouthpiece in the *Rambler*. Why not get in touch and let us know what you would like to say? We will take care of writing it down and submitting it for publication for you. All you need is a phone call.

Ron, VE3UWR can be reached at 744-6672 and Roger, VE3XRR at 745-7948.

In closing, let us not forget to continue and try to advance a little more. The code phone is still there and the examiners are always available for giving the exams. How about trying to meet on HF and work CW amongst yourselves! That would take the edge off a little... maybe.

Let us continue to attend meetings and participate in the club. After all, it helped get us where we are.

-73-