

THE OVMRC RAMBLER

Volume 35, Number 2 -- February, 1992

GOING TO GROUND -- QUICK AND EASY

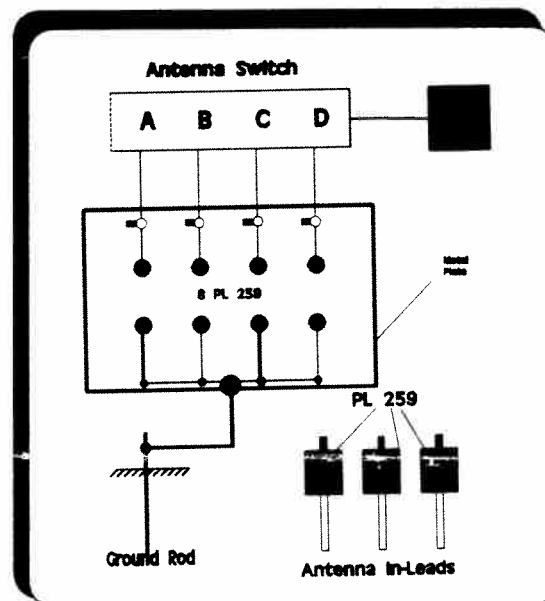
by Fred Taetz, VE3PAA

I suspect that I am one of those inventors or tinkerers who comes up with nifty ideas, but doesn't bother to share them with anyone, because they seem too simple to be important. My XYL thought differently and I was told to get this idea into print.

They say that lazy people come up with the most innovative ideas, and I am one of the lazier ones. One day I became fed up with disconnecting and reconnecting my antennas in the shack, especially in the summer months with the constant threat of thunderstorms. I remembered that I had picked up a package of used, but sound, SO 239 connectors at one of the Flea Markets. At the time, I had no idea what to do with them, but the price was right. I also had a scrap piece of copper sheeting about 4" X 12" and about 1/8" thick (brass would work as well so long as it is stiff enough).

Here is what I built out of my junk-box collection. I drilled two parallel rows of holes and mounted the antenna connectors in pairs, one above the other. Provide at least two pairs and you will have one for the dummy load. Then I mounted the copper sheet in a wooden frame, wide enough to span the sixteen-inch stud centres. This enabled me to screw it to the wall, just above the baseboard beside my operating chair. The aim was to have the unit easily accessible. As illustrated in

the schematic, all the centre pins of the connectors in the bottom row were soldered to the copper sheet (my chassis ground) with heavy 10 gauge wire or better and as short as possible. All the top connectors were wired via coax to my antenna switch inputs. The braid from each top connector coax was soldered to the chassis ground (the copper sheet).



From the copper sheet, I ran a groundwire (6 gauge or better) as direct and as short as possible, to a designated ground rod buried in the earth outside. Galvanized steel groundrods, with the proper clamps, can be bought at any electrical supply store.

I would not recommend an alternate grounding method, such as the house electrical system, or the water

pipes, or your bedsprings. When you get zapped, you want to have as short and as direct a path to ground as possible for all those Amps and Volts to travel.

The antenna lead-ins with PL 259 connectors can now be quickly attached to the bottom, where they are disconnected from the rig and solidly grounded, or to the top, where they feed through the antenna switch to the rig and do their business. This way I connect only the antenna I plan to use. After use it goes back down to ground. In case of an all out operation, I would connect all the antennas.

It soon becomes habit to ground the lead-ins after every use. I can be worry-free when I am away from the shack (at the cottage for example) and hear a weather forecast of thunder storms. Most important, I have no worries about all that expensive equipment. Granted, I have not had a direct lightning hit; and I am not looking forward to one, but I feel reasonably sure, that I am doing all in my power to protect my gear.

It has been said that a direct lightning strike on radio equipment gives new meaning to the term solid state. Ed.



THE OVMRC RAMBLER

Volume 35, Number 1 -- February, 1992

OVMRC EXECUTIVE 1991-1992

President

Jerry Wells, VE3CDS - 225-7374

Vice-President

Larry Woram, VE3WLN - 835-2959

Past President

Doug Carswell, VE3ATY - 839-5854

Treasurer

Judy Taetz, VE3PAB - 822-0937

Secretary

Ted Paull, VE3KEH - 830-2751

STANDING COMMITTEE CHAIRS

Amateur Radio Exhibit

Cy Webster, VE3SIY - 733-2371

Amateur Radio Training

Doug Carswell, VE3ATY - 839-5854

Field Day

Vic Bajaj, VE3BSV - 726-9270

Flea Market

Ken Barry, VE3KJB - 746-4823

Historical

Pat Brewer, VE3KJQ - 825-8721

Membership

Mike Beausoleil, VE3BGP - 739-8871

Newsletter

Chuck King, VE3PDK - 733-2079

Publicity and Programmes

Keith Beardsley, VE3SVQ -
731-7912

Radio Operations

Jerry Wells, VE3CDS - 225-7374

Technical

Ed Sieb, VE3RDZ - 738-8924

RAMBLER COMMITTEE

Editor

Chas. King, VE3PDK

Contributing Editors

News & Views - Pat Brewer, VE3KJQ

Ramblings - Jerry Wells, VE3CDS

DXdeYOU - Keith Beardsley, VE3SVQ

Circulation

Fred Haire, VE3NJF - 737-4638

Neil Herber, VE3PUE - 820-5568

Eric Still, VE3OTT - 258-4018

Kevin Still

Fred Taetz, VE3PAA - 822-0937

The Rambler is published monthly in Canada by The Ottawa Valley Mobile Radio Club Incorporated, P.O. Box 5530, Station "F", Ottawa, Ontario K2C 3M1. Permission is granted to republish anything, in whole or in part, with proper acknowledgement of its source. The opinions expressed in The Rambler are those of the author and not necessarily those of the Ottawa Valley Mobile Radio Club Incorporated.

NEXT MEETING OF THE OVMRC

20 FEBRUARY, 1992
1930 hours

**National Museum of
Science and
Technology**

Auditorium

CLUB CALENDAR

FEBRUARY MEETING
GUEST SPEAKER
Harold MacFarlane, VE3BPM
ALL ABOUT TOWERS

FUTURE SPEAKERS
Bob Campbell, VE3KLB
Brice Wightman, VE3EDR

FUTURE EVENTS

Flea Market, 11 April
Canterbury High School

May Meeting
Honours and Awards Night

June Meeting
Elections

SOME AMATEUR RADIO NETS

POT HOLE NET - Sundays 1000 hrs. 3.760 MHz (includes Swap Net)

POT LID NET - Sundays 1100 hrs(except Jul & Aug) 3.620 MHz slow-speed CW.

CAPITAL CITY FM NET - Mondays 2000 hrs 146.94 MHz Swap Net

THE WISE OWL NET - Fridays 2000 hrs. 147.30 MHz

OVMRC CODE PHONE - 746-2065 24-hr code practice..

**The support of Corel Systems Corporation through
their generous gift of**

Corel Draw used in preparing this newsletter is gratefully acknowledged.

**The printing support of Dy-4 Systems Inc.
is gratefully acknowledged.**

Ramblings

Jerry Wells, VE3CDS



Here we are, already three weeks into the new year. We are even used to writing 1992 on our cheques and putting 42 cents on the envelope to pay our bills. How quickly we adapt to change. This year has certainly started off with lots of changes. What is in store for amateur radio? We will, no doubt, see more attempts to squeeze a little bit more out of the amateur frequencies for commercial use, and who knows what will come out of the 1992 World Administrative Radio Conference (WARC). Yes, '92 will be an interesting year.

What about the Club and our many activities? Are you getting involved in the planning and preparation for some of our activities downstream? The Flea Market is nailed down for the 11th of April at Canterbury High School. Why not offer to help out? Call Ken Barry VE3KJB and let him

know that you are available. It sure gives the chairman peace of mind when members offer to help...What about Field Day...? There are always lots of things that need to be done well before the event. Give Vic VE3BSV a call at 726-9270. Let him know you will participate.

Look at the list of standing committees on the page 2 of the *Rambler* and decide where you can help. Call and make someone's day.

No issue of the *Rambler* is complete without some comment on the amateur radio course. The students are just about at the 10 word-per-minute code speed. Not all are perfect copy but many are not far from it; 12 words-per-minute is certainly in sight. I heard some interesting comments about the practical session held at the Museum on a Saturday morning. Some of the students

soldered for the first time and several successful crystal sets were made from scratch...Doug tells me the students are going to learn how to solder a connector to a piece of coax. This is excellent practical experience. I'll bet that there are a few Club members who would like to know the tricks of such an undertaking. Who knows, maybe we will expand the Club training if that is what the members want...John VE3ACI is the instructor for these practical exercises.

Has anyone heard from Jeff? I heard that he has a VE6 call, someone said it was VE6RCI. Anyone know for sure?

Let's hope the winter doesn't get any worse than it has so far. It seems a long way to spring time, but before we know we will be into sunshine and warm days. See you at the Club meeting. 73 Jerry, VE3CDS

ANOTHER MISSIVE FROM THE ACTING MEMBERSHIP CHAIRMAN

Neil Herber, VE3PUE

Well, it looks like Mike (VE3BGP), our esteemed membership chairman, will be vacuuming the sand out of his belongings for a few more days (weeks?), so he asked me to bring you up to date on the happenings in the membership world.

For one thing, we have a whole batch of new members. A warm OVMRC welcome to (in the order in which they joined):

Hans Van Den Berg (VE3REL),
Paul Dugay (VE3NPD),
Owen Dowd (VE3POD),
Peter Meads (VE3NNA),
Barbara Meads (VE3BBR),
John Goatcher (VE3JKG),
Mike Miskell (VE3HRT),
Scott Murchison (VE3PDR),
Rod Riley (VE3BLB),
Blair Conlin (VE3SHG),
Al Barnes (VE3GHE),

Dan Henwood (VE3TVZ),
Ernie Kerr (VE3KEW),
Darcy Grant (VE3TYK), and
Lou Auriat (VE3ACL).

The last four (TVZ, KEW, TYK and ACL) all joined at the January meeting. These are obviously dedicated amateurs, since they braved -41C temperatures to come out to the meeting. Actually there appears to be quite a few dedicated (or foolish) folks. We had 63 people turn

Secretary's Minutes

by Ted Paull, VE3KEH



MINUTES: OVMRC General Meeting DATE: December 19, 1991

QTH: National Museum of Science & Technology

1. **Call to Order.** President Jerry, VE3CDS, called the meeting to order at 7:40 p.m. and welcomed all (of the very large crowd of 82) in attendance.

2. **Visitors.** The following visitors were welcomed to the meeting: Cyril VE1AFB, Scott VE3PDR, Rod VE3BLU, Jeff VE3WWH, as well as David and Martin, two avid hams-to-be!

3. **Santa Day.** Pres. Jerry acknowledged the help of all those people who helped to make last Sunday's 'Santa Day' at the Museum of Science and Technology a great success. Special thanks went to Leo VE3NVL, Bob VE3YBC, Paul VE2AKB, Joe VE2JHT, and Mark, who is presently taking the club's course. 'Santa Certificates' were issued to kids who talked to Santa via the 2 meter equipment.

4. **DOC Changes.** For those now taking or planning to take their tests, be aware that the DOC will no longer be giving a choice in selection of call letters. This is caused by the staff shortages at DOC. In addition, Delegated Examiners will be taking a more active role in giving license exams.

5. **Resignation.** Jerry received a letter of resignation from Russ Pas-tuch VE3FSN, who asked to be relieved of his duties on the repeater committee. Russ has performed outstanding service to the Club during the past decade, acting as Technical Chairman, maintaining the Club repeater VE3TWO, as well as participating actively in most Club ac-

tivities. We hope that Russ will continue to join us from time to time.

6. **MOTION.** Because the work of preparing schematics, illustrations and graphics for the manual *Amateur Radio for Beginners*, made it necessary to acquire a computer graphics and drawing package, the Executive, with the help of Craig, VE3KKU, approached Corel Systems Corporation. Corel made a gift to the Club of Version 2.0 of Corel Draw and it is planned to use this programme for the manual and to enhance future issues of the *Rambler*. The computer on which Corel will run is a PC AT with basic 640k RAM capacity. To run Corel efficiently, the computer should be a PC 386 with a larger RAM capacity. It is proposed to upgrade this computer by exchanging the mother board and adding four Megs of RAM. Funds for the upgrade are available from this year's training budget and from general revenues. The cost of the upgrade will be recovered from future revenues from training and from the sale of the manuals. The enhanced *Rambler* should be a bonus to the Club.

Moved by Doug, VE3ATY, seconded by Judy, VE3PAB, that the expenditure of eight hundred and five dollars (\$805.00) be approved for the purpose of upgrading a computer for the purpose of preparing the manual *Amateur Radio for Beginners* and to enhance the *Rambler*.

Discussion. A discussion was held regarding a motion, announced in the *Rambler*, to upgrade the computer being used currently in service of Club publishing activities. The motherboard needs upgrading, as well as a RAM increase.

Vote. In a vote, the motion carried to expend up to \$805.00 for the required computer modifications.

7. **Financial Report.** The Club is doing well and is solidly in the black, with a balance of about \$6K. in the bank.

8. **CARF Bulletin.** Dan Holmes, VE3EBI, gave a brief summary of the Dec. 15/91 CARF Bulletin.

9. **Restructuring Regulations.** Bill Wilson, VE3NR received clarification from DOC on an ambiguity in the proposed new regulations document regarding "remote control of repeaters." The new wording requires that "any signal, which is relayed on HF via a remote base station, must be originated by a person with the appropriate license."

10. **Main Speaker.** Bryce Wightman VE3EDR, a Club member who divides his time between Ottawa and warmer climes, came to give a brief talk about his adventures combining sailing to Nassau and the Bahamas on his Arlberg 37 sloop, and operating his ham radio station. Last spring Steve VE3SXN, Dick VE3EIT, Larry VE3CRX, and Paul VE3JLP and Bob VE3SXD joined the cruise for a while, exploring Aleuthra together. Bryce maintains almost continual contact, often using CW, with his friends back home.

11. **Adjournment:** There being no other business, adjournment took place at 9:15 pm. followed by coffee, cookies and the usual eyeball QSO.

Secretary's Minutes

by Ted Paull, VE3KEH



OVMRC General Meeting

Jan. 16, 1992

1. Call to Order. President Jerry, VE3CDS, called the meeting to order at 7:45 p.m. and welcomed all in attendance.

2. Visitors. The following visitors were welcomed to the meeting: Lou VE3ACL and D'arcy VE3TYK, as well as new members Dan VE3TVZ and Ernie VE3KEW.

3. Program Cancellation. Unfortunately, the scheduled presentation by Bob VE3KLG had to be postponed. Instead, a demonstration of an electronic keyer is planned.

4. Upcoming Events:

a. Africa Night. Feb. 3-7, 1992 is Canadian International Development week. As part of the activities, an evening festival of fun, food and music, dedicated to Africa, called "Africa, A Celebration" will be held on Feb. 6 at the Nepean City Hall. Club members, Roxanne Delmage VE3VON and her OM Craig VE3KKU will be setting up a demonstration amateur radio station, with the special call of CI3CIDW. The mayor of Bo, Sierre Leone, Nepean's Sister City will be there to launch the festivities, and contact will be attempted with as many African stations (and others) as possible. Cost is free (!), so come on out and give support to this exciting venture. Anyone with a tower, beam, spare radio and helping hands, call Craig or Roxanne at 829-6564.

b. Club Dinner. The annual club dinner will be held on Saturday, Feb. 15, 1992, at 7:00 p.m. at Robbie's Restaurant (corner St. Laurent Blvd. and Belfast Rd.). Bring wives, husbands, friends and family for some good Italian food, and good company, strictly 'Dutch Treat'. Let Jerry, VE3CDS know if you're planning to come, by the weekend before at the latest. Listen for an-

nouncements on the Pot Hole and Wise Owl Nets.

c. International Students' Space Simulation. Ted, VE3KEH informed the members about the ISSS project, an upcoming 'space mission' involving 50 or more schools, including Lisgar Collegiate Institute and Highland Park High School here in Ottawa. Ottawa students have built a 'bio-sphere' or self-contained capsule representing a lunar habitat, and a small group of them will join other student 'astronauts' in schools throughout North America and Japan, who will simultaneously enter the capsule for 72 hrs. from Feb. 17-21/92. Vic, VE3BSV (OVMRC Field Day Chairman) a Grade 9 student at Lisgar Collegiate, has been designated as the overall mission communications co-ordinator. Vic will attempt to communicate with as many participating sites as possible. Also planned for the mission are demonstrations of VHF/UHF and HF modes, packet, slow scan television, fast scan television (or ATV), satellite operation, and so on. The Ottawa site, at the Sir John A. MacDonald Resource Centre on Draper Ave. in Nepean, will be open to the public during the mission from 2-8 pm. Anyone interested in lending a hand to assist in the success of this mission, please call Vic or Ted.

5. VE3JW Museum Exhibit Committee. Cy Webster, VE3SIY, informed members that the new target date for the re-opening of the VE3JW exhibit station at the Museum of Science and Technology is October 1993. Cy and the committee are going to apply for a New Horizons Grant, given by Health and Welfare Canada in support of senior citizen activities and initiatives. Will all club members who are either fully retired or over 60 years of age please identify themselves to Cy to lend support to this worthwhile effort. The potential outcome could be the acquisition of one or more grants of \$7000. which would be used to hand-

somely equip the museum station. The museum station will be available for use by any qualified Club member !

6. Club Course. Doug, VE3ATY, chief instructor, announced that a lab would be held next Saturday the 25th of January. Students would be building a receiver from a kit. The course is going well, and several students have already taken the test and passed. Congratulations to new hams Al VE3TYJ, Jeff VE3WWH and Jim VE3DEH ! Chapter 15 of the course manual is complete and Chuck VE3PDK will be taking a short vacation from his prodigious publishing workload. Future student workshops will include antenna building, soldering, winding coils and so on.

7. 6-Meter Repeater. Bob VE3YBC reported that the repeater is almost together. Stay tuned for more detail !

8. Keyer Demo. Jerry, VE3CDS gave a brief but interesting demo on the use of his electronic memory keyer, with an iambic key. Several club members gave the crowd a taste of the accuracy and speed possible when using this equipment once you get the hang of it !

9 Door Prizes. A nifty pair of prizes, a calendar and an electronics catalogue, were won by lucky attendees Bill VE3RWC and Dan VE3TVZ.

10. Delegated Examiner. Jerry, VE3CDS, is an official Delegated Examiner, and can give exams to prospective hams. If you are ready to take your test, give Jerry a call to make an appointment.

11. Adjournment. There being no other business, a motion to adjourn was made by Sue VE3SLC, seconded by Judy VE3PAB. The meeting adjourned at 2049 hrs. (local) followed by coffee, cookies and the usual eyeball QSO.

NEWS AND VIEWS FROM HERE AND THERE



by Pat Brewer, VE3KJQ

Welcome to our monthly review of club bulletins from across Canada. We will start in the West and work our way east. A couple of bulletins are missing this month and we have added a new one.

We begin with the **Calgary Amateur Radio Association** bulletin *KeyKlix*. Their amateur radio course is winding down and already there are 25 new hams. The Club is growing toward a goal of 400 members this year. They are also involved in a battle with the City of Calgary to retain their repeater site on Nose Hill. It seems the City feels the antenna and the building at its base is an eyesore in the park. A letter by John Jarvis VE6CNG to the people concerned raises the many advantages the repeater provides to the amateur community and the City at large. He points out that no mention is made of the airport beacon which is at the same site.

We are missing Saskatchewan this month which brings us to Windsor next and the bulletin of the **Border City Radio Club**. The Club has just come up with a new logo sporting the familiar diamond logo of the ARRL. Club president Bill Leal VE3ES feels that the diamond has become a universal symbol of amateur radio and points out that it is used by a number of amateur radio groups around the world. Bill recently spent a week in Ottawa and was disappointed that there were no 220 MHz repeaters. Sil VE3IJY has a unique analogy of learning code and going to the bathroom. "You can only do it yourself." One wonders what kind of paper he uses to write

the code down. The Club auction is coming up and the secretary reports that last year "the president blew his nose and purchased a spark gap generator". Speaking of spark gaps VE3AKJ was talking to W8UR on a local Windsor repeater and found out about his unusual occupation. He is head Sergeant at Fort Mackinac on Mackinac Island and recently found a turn-of-the-century telegraph set in an attic. He persuaded the authorities to restore the fort telegraph office and now the sounder is once again rattling out CQ. This is a particularly newsy bulletin this month, but we had better move on.

Much of the **Chatham Kent ARC** bulletin *ClearSignals* is devoted to the responsibility to new hams. Editor Val West VE3VAL has some good words. "You came into this Hobby with enthusiasm, why else spend all those hours studying and filling your heads with formulas. You wanted to be a Ham. Spread that energy around to others, let them know the feeling of accomplishment when you finally get that TICKET." The Club is holding fox hunts (hidden transmitter hunts) almost every month and a recent hunt inspired a poem by Don VE3DBA:

Everyone came with their crew and antenna.

That signal sure was hard to get, especially since,

The hiding fox was so deep in a hollow 50 lower and whence.

All the happy hunters went cruising on by,

But no-one thought to look down Hi Hi.

A final note from Chatham comes in the form of a typo. In the Swap and Shop there is a Heath HW-9 QRT Transceiver for sale. I wouldn't spend \$100 for something that was advertised not to work!

The **London ARC** has installed a tri-mode access unit on the Club repeater. This will allow users to trip the repeater with only .1 microvolt plus the sub-audible tone, or .5 microvolts without the tone. It is hoped that this will keep out other distant repeater users with the same frequency pairs.

The **Sudbury ARC** *SARCommunicator* continues to publish their Club constitution in instalments and so is short on news. They have ordered a new repeater controller with lots of bells and whistles and the editor includes the saying, "Two things Hams can never have enough of are antennas and reference books".

The topic of the speaker at the January meeting of the **Kingston ARC** was "A walk through the penal history of Kingston Penitentiary". Perhaps a depressing topic for a depressing time of year? *The Kingston Amateur News* also reports that the amateur course has graduated 13 new amateurs, the truck-top breakfasts are a hit, and there were 44 members at the November meeting.

News & Views page 10

ETIQUETTE IS WHAT IT IS

by Neil Herber, VE3PUE

While I was standing around trying to look inconspicuous, a newly-licensed ham approached me and asked, "Where can I get a book that tells me about appropriate repeater etiquette?" Damn good question, thought I; I certainly never found one. So herewith behold Herber's totally personal guide to repeater operation. First the five rules:

1) Use common sense. (This is the most difficult rule.) If someone is talking, don't interrupt. Courteous repeater users will pause every once in a while and ask if anyone needs to use the machine. That's when you can pipe up.

2) The corollary to #1 is leave a break for other hams every once in a while when you are using a repeater.

3) The word "BREAK" should only be used in emergencies to request repeater access. If it's not an emergency, and if the guys on the

machine aren't leaving any gaps, you can jump in by giving just your call.

4) If you hear someone having trouble with the patch or using questionable operating practices, DO NOT CUT THEM OFF. It may be someone in distress who is panicking. Calmly offer to help them out. Button pushers will ignore you, but someone having trouble will welcome your offer.

5) ALWAYS identify yourself. If you "kerchunk" the repeater to see if your handy-talky battery is working without identifying, there is no way to tell you from a jammer. All it takes is "VE3PUE testing."

Now as an added no-charge service, the top five stupidest repeater practices:

5) Saying "we" when you are alone, such as, "Yeah, we just have to brush our teeth and then we'll be off."

4) Saying that you "have destinated" when you mean arrived.

3) Using Q-codes rather than talking like a normal human being. Does it really take longer to say "Well, I'm home." rather than "Well, we have destinated at our home queu tea aitch."

2) Saying "Yeah, roger" every time you start to speak.

And the number 1 stupidest repeater practice:

1) Repeating everything you say on a perfectly clear transmission. "Yeah, roger roger, we have destinated Fred, we have destinated."

For those who are offended by my views, I offer my apologies in advance. (Although I doubt if we have any thin-skinned whiners in our Club.) And for those who maintain that the five stupidest practices "make us hams distinctive" I can only say "Yeah, and a big Roger Dodger to you Good Buddy!"

ANOTHER POWER SUPPLY PROBLEM

by Bob Shaw, VE3SUY

A while ago, when I wanted to use my Yaesu FT-470 for VHF packet, I ordered a battery pack for alkaline AA cells to fit this transceiver, and wired it to a Lambert 12-volt power supply. The objective was twofold -- to increase the output power (I was still using the rubber ducky inside my house), and to relieve me from constantly recharging the NiCad battery, risking exhaustion, cell reversal, overcharging, and more importantly, never having a fully charged battery for portable operation.

I thought I was being careful, and checked the output voltage of this power supply. It was right on 12 Volts, both unloaded and with the

receiver connected, although the current demand in receive is insignificant. I thought that the higher current while transmitting would ensure either the same or lower voltage. I WAS WRONG!

The Lambert power supply is a quality unit, designed for digital and linear circuits. The load while transmitting was well within the regulated range of the supply, but the 2-Meter RF energy caused the voltage to increase significantly -- to about 15.5 volts. This is over the rated voltage of the transceiver, but I got away with it (as far as I know!).

I certainly didn't want to continue tempting fate however. This power supply uses a 723 IC voltage regulator with series pass transistors. Should you plan to use a similar

power supply, especially if it uses a 723 voltage regulator, check the effect of any potential RF energy on the regulation. Ferrite beads on the connections to the power supply did not change the situation. I didn't try further bypassing. This supply is built on an L-shaped chassis, and I did not "complete" its enclosure. I simply abandoned the use of this supply, and connected my battery pack to my HF rig's power supply.

I also noted that the speed of my tape cassette recorder INCREASES in the presence of RF (within a foot of the FT-470 while transmitting). Thus I suspect that many voltage (and speed) regulators can be affected by RF.

Forewarned is to be forearmed!

NET CONTROL OPERATORS NEEDED

by Jerry Wells, VE3CDS

As all of you know, or maybe some of you don't know, the Club operates two very successful nets. One is The Wise Owl Net and the other is The Pot Hole Net.

If we look first at the Pot Hole Net that operates on the 75- metre band at 10 a.m. every Sunday morning, we usually find Doug, VE3ATY as the net controller. We need other members of the Club to share net control duties with Doug. Four or five more interested Club members would mean that net control would

fall only every 4 or 5 weeks. A far better situation than what we have now.

Doug and I will teach you all you need to know about net control procedures. So give us a call and sign up to be a net controller on one of the longest operating round table nets on the 75-metre band. You'll be glad you did.

Our other net is The Wise Owl Net that operates on the Club repeater, VE3TWO, every Friday evening at 8 p.m. local time. As most

of our 2-metre gang knows, Leo VE3NVL is our net manager and net control station. From time to time Leo needs to be spelled off from net control duties. We will gladly accept assistance from any Club members who would like to be net control on the wise owl net. Again we will teach you all you need to know to handle the job.

Contact Doug VE3ATY, Jerry VE3CDS or Leo VE3NVL.....

FOR SALE

KENWOOD TS820S HF RIG

An excellent starting radio in mint condition.

Some specifications:

Frequency Range: 10 meters through 160 meters.

Operating Modes: USB, LSB, CW, FSK

Built-in Power Supply: 120/220 VAC, 50/60 Hz or 13.8 Volts DC

Plate Power Input: 200 Watts PEP SSB at 120/220 VAC

120 Watts PEP SSB at 13.8 Volts DC

Built-in IF shift circuit

Digital display dial

Many more features.

Dimensions: 13.2" Wide X 5.9" High X 13.2 Deep Weight 37.4 lbs

Complete with manual in original packing box.

Selling in order to upgrade.

Asking \$675.00.

Contact Mike Beausoleil, VE3BGP at 739-8871
after 1700 Hrs.

WHERE IS YOUR AD?

Do you have something to trade,

sell, or give away?

Is there something you need?

Make use of the space available

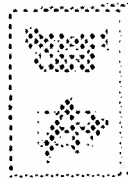
in your Club paper.

Give the Editor a written description

of your articles for sale or trade

or a description of your needs

for publication.



by Ron Clement (VE3Hopeful) & Roger Rose (VE3Hopeful)

Well, we hope the holidays have brought you happiness and optimism for 1992. We cannot forget HOPE that we will all get our license.

Alright, to start with, how many of you practiced your code? Ya right, lying through your teeth again. OK, we can forgive you, being the holidays and all. But now is the time to get back to it. Remember what the experts keep telling us "Practice is the key".

A few of us took up the invitation made by Jerry (VE3CDS) to visit his 'Ham shack'. Notice we are starting to throw the callsigns around like the pros. Anyway, by our count, we figure about ten people showed up. At about 13:00, Steve and a friend, Ron and Roger were listening to Jerry describe in details, the different functions of all those little knobs in front of his Kenwood TS830-S.

While doing that, we got sidetracked by a DX call from Switzerland (HB9 station) and Jerry couldn't resist a reply. A good demonstration of an addict!

Dave, Jerry and his XYL arrived a short while later and joined us on a lecture about the separation of signals - or something - and the difference with Bandwidth control of CW and phone signals. Jerry made it look so easy that we couldn't figure out why the classes are so difficult to understand. The equipment does all this work for you! Anyhow, a couple more people showed up as we were leaving due to other commitments. (Man o' man, family life is already keeping us away from our hobby)

Before we left, we took a quick peek at Jerry's antennas. Did you know you can stretch an 80m antenna over your neighbor's yard? What a clothes line that

would be. For those who couldn't make this visit, too bad but you missed out on a great opportunity to see first hand what it's all about. Mind you, Jerry did say you can come anytime..... Thanks for a very informative afternoon Jerry.

On our first class back, Pat (VE3KJQ) sermonized us on the rules of the game. We were told in more ways than one to mind our "Qs". They even have codes to help us along. Needless to say, some of us were a little rusty on the other unmentionable code.

Flash - second class of '92 cancelled due to miserable weather - which it turns out, was a record breaking -30.1, with windshield factor to boot.

The club held its January meeting on the 16th and we learned that three of the students have passed their Basic's and can now be identified with their

(Continued next page)

very own callsigns. They are Jim Robinson (VE3DEH), Al Barnes (VE3TYJ) and Jeff Hiltz (VE3WWH). Congratulations guys.

The class held it's first lab on the 18th at the museum. John (VE3ACI) gave us a quick talk on soldering and it was hands on after that.

Where are the soldering irons Dave? Oh - there they are, a box full of 'em.

Adult

Supervision - who needs it? Most of us (we won't name names) at the museum were able to work on the crystal radio kits. It was a learning experience. We all learned not to

ask Larry to make a coil. Now where is the cold water tap? Do you hear anything? Ron said he heard the pager system!

Oh well, it is now QTR to QRT. Keep QRL like us until next time. 73's to all VE3hopefuls.

---... ---

News & Views from page 6

Here are a few notes from the Ottawa Pioneer ARC bulletin *TelePARC*. Doug VE3CDC announced at the December meeting that the new War Museum management has cancelled the military radio restoration work program carried on last year so well by local amateur radio volunteers. Too much of a good thing? The new club video repeater will be located at CJOH. The guest speaker at the December meeting was Larry Kayser VE3PAZ talking on the remote HF station project he recently completed. At

the moment the station operates on 30, 40, and 80 metres CW with sloping dipoles supported on a 340 ft tower.

The Ottawa ARC *Groundwave* says that the Club has been forced to permanently leave the National Research Council meeting rooms due to "security requirements". They will continue to meet at the Regional Headquarters. Mike VE3FFK has a new 70 cm rig to go between his 2 and 6 metre rigs. He also got a "nifty gel-cell pack ... from canuck peneu". Sounds like something interesting to check out.

This month we add *The WLARC Bulletin* of the West Island ARC of Montreal to our list of exchange bulletins. New Club President Jan, VE2OL wants the Club to "continue to promote amateur radio within the community and support the hobby as a family activity." This Club is active in hidden transmitter hunting and also operates a packet BBS and DX cluster. In December, there 5001 messages sent through the packet system. January meeting speaker Bill VE2IQ had the lead article in the January issue of QST. The article was on "A Receiver Spectral Display Using DSP."

HONOURS AND AWARDS

Our Club does not subscribe to Al Capone's philosophy that you can get more done with a kind word and a gun than you can get done with just a kind word. We firmly believe that the kind word and the satisfaction the doer derives from doing a worthwhile job well is all it really takes. Have you noted a worthwhile job well done by a fellow Club member over the past year or years? Now is your chance to give him or her the kind word that puts the frosting on the cake. Your nominations are needed of members (or non-members) who have contributed to the welfare of the Club. Make these nominations either in writing or by phone to the President. The Executive will examine all nominations and produce a slate of those who should be honoured at our May meeting.

This is your chance to say thank you to those who contribute to the the continuing success of your Club. Do it now!